

2080LC5048AWB

Allen-Bradley Micro850 Controller 28DI 20DO Relay Ethernet
RS232/485 120VAC



Component type	PLC CPU-module
Range	Micro 800
Model	850
Product status	Existing



Allen-Bradley Micro800 controllers offer both a scalable and robust micro control solution for small to large standalone applications and allow for customisation and flexibility. You can elect from a wide range of plug-in modules to match your requirements and make use of Connected Components Workbench™ software to help reduce machine design time and maximise productivity.

ELECTRICAL

Supply voltage DC	20.4-26.4 V
Voltage type of supply voltage	DC
With optical interface	No
Redundancy	No

COMMUNICATION

Number of HW-interfaces industrial Ethernet	1
Number of HW-interfaces USB	1
Max. number of EtherNet/IP nodes	20
Can be programmed with Connected Components Workbench	Yes
Can be programmed with Studio 5000 Logix Designer	No
Can be programmed with RSLogix 500	No
Supporting protocol for TCP/IP	No
Supporting protocol for PROFIBUS	No
Supporting protocol for CAN	No
Supporting protocol for INTERBUS	No
Supporting protocol for ASI	No
Supporting protocol for KNX	No
Supporting protocol for Modbus	No
Supporting protocol for Data-Highway	No
Supporting protocol for DeviceNet	No
Supporting protocol for SUCONET	No
Supporting protocol for LON	No
Supporting protocol for PROFINET IO	No
Supporting protocol for PROFINET CBA	No
Supporting protocol for SERCOS	No
Supporting protocol for Foundation Fieldbus	No

2080LC5048AWB

Allen-Bradley Micro850 Controller 28DI 20DO Relay Ethernet
RS232/485 120VAC



MICRO CONTROL SYSTEMS



Allen-Bradley

COMMUNICATION

Supporting protocol for EtherNet/IP	No
Supporting protocol for AS-Interface Safety at Work	No
Supporting protocol for DeviceNet Safety	No
Supporting protocol for INTERBUS-Safety	No
Supporting protocol for PROFIsafe	No
Supporting protocol for SafetyBUS p	No
Supporting protocol for other bus systems	No
IO link master	No

CONSTRUCTION

Number of relay outputs	20
Number of digital inputs	28
Number of digital outputs	20
Memory size	20 MB
Additional program memory possible	No
Suitable for safety functions	No
Model	Modular
System accessory	No
With display	No
Rail mounting possible	No
Wall mounting/direct mounting	No
Front built-in possible	No
Rack-assembly possible	No

DIMENSIONS

Width	238 mm
Height	90 mm
Depth	80 mm

2080LC5048AWB

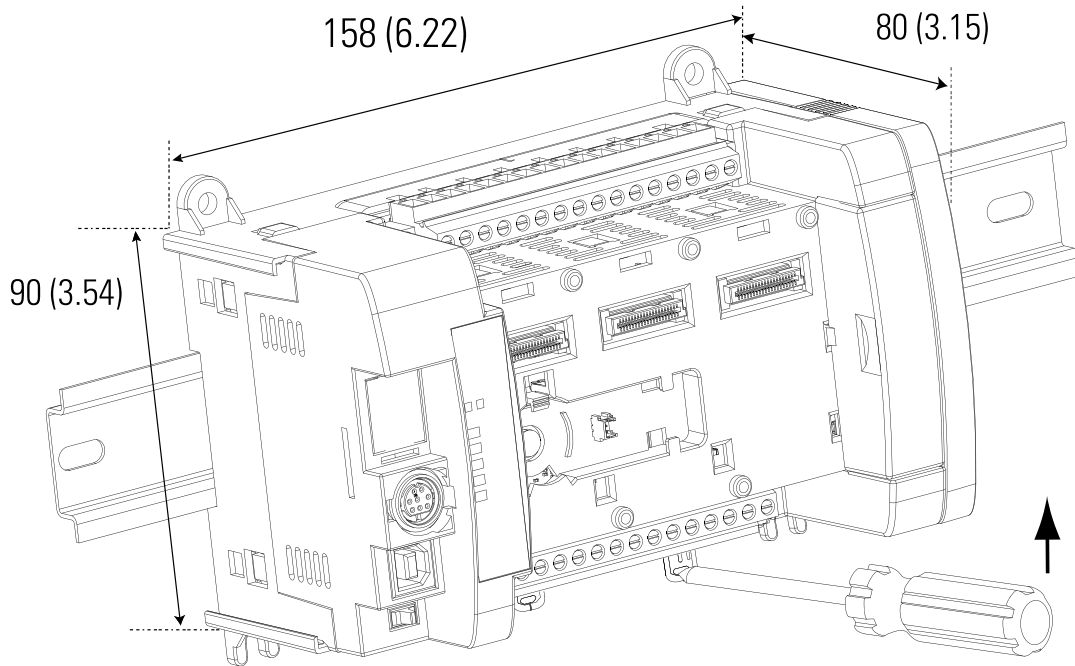
Allen-Bradley Micro850 Controller 28DI 20DO Relay Ethernet
RS232/485 120VAC



DIMENSIONAL DIAGRAM

Micro850 24-Point Controllers

2080-LC50-24AWB, 2080-LC50-24QBB, 2080-LC50-24QVB, 2080-LC50-24QWB



Measurements in millimeters (inches)

45912