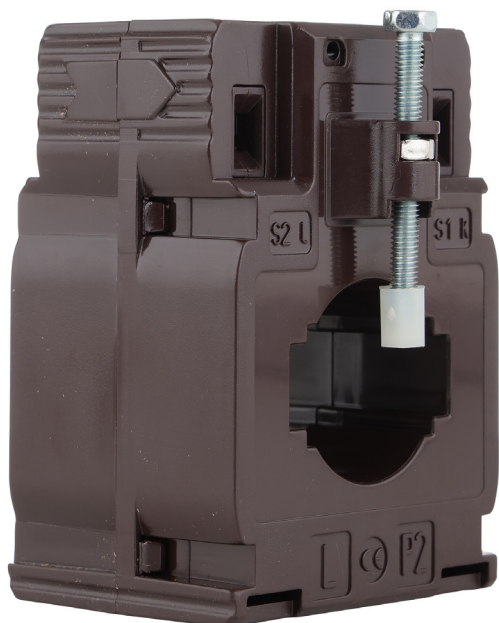


# TA3271001A

IME TA327 Solid Core Current Transformer 100/1A 27mm 3VA  
Class 1, 1.5VA Class 0.5



<b>Component type</b>	Current transformer
<b>Range</b>	Solid Core CT
<b>Model</b>	N/A
<b>Product status</b>	Existing

The IME solid core current transformers are highly accurate and cover a broad range of sizes and form factors that suit busbar, cable, or protection class applications.

## ELECTRICAL

Primary rated current	100.0 A
Secondary rated current	1.0 A
Rated operating frequency	47 - 63 Hz
Max. operating voltage (Umax)	0.72 V
Rated short time thermal current I <sub>th</sub> (x primary current)	6.0 kA
Rated continuous thermal current I <sub>cth</sub> (x primary current)	6.0 kA
Accuracy class	0.5
Insulation class (IEC 61869-1, 61869-2)	B
Security factor	5.0
Rated burden, class 0.5	1.5 VA
Rated burden, class 1	3.0 VA
Power loss	7.0 W
Over current limiting factor	FS 5
Secondary rated apparent power	1.0 VA

## CONSTRUCTION

Current transformer type	Solid core
Material housing	Polycarbonate (PC)
Model	Attachable current transformer
With shock protection	Yes
Snap mounting	Yes
Secondary connection	Screw connection
Number of primary inputs	1.0

## DIMENSIONS

Opening diameter	27.0 mm
------------------	---------

## ENVIRONMENT

Storage temperature	-40 - 85 °C
---------------------	-------------

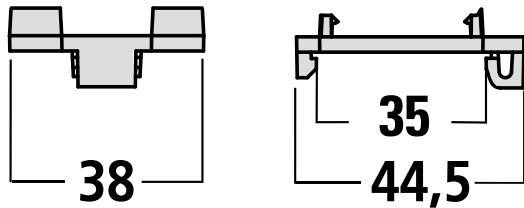
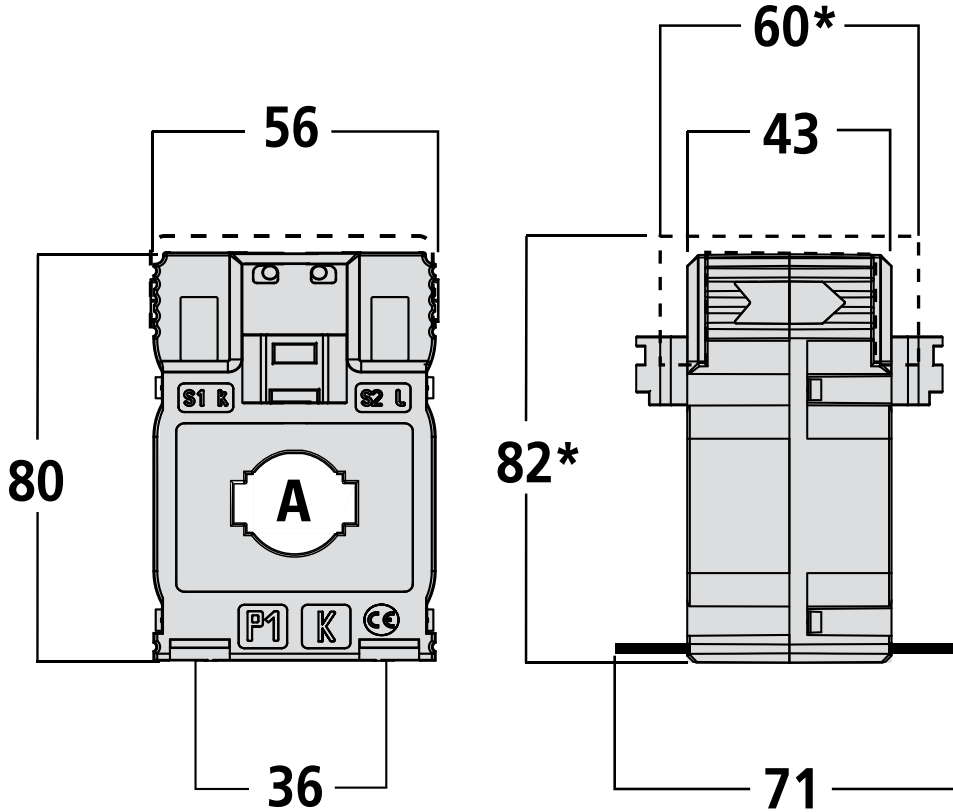
# TA3271001A

IME TA327 Solid Core Current Transformer 100/1A 27mm 3VA  
Class 1, 1.5VA Class 0.5

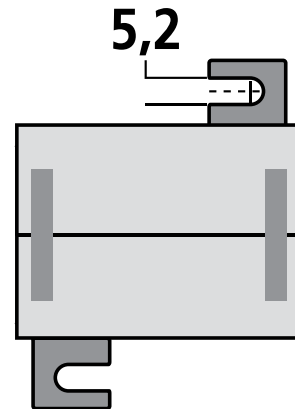


## DIMENSIONAL DIAGRAM

### \*Opzione / Option



**Fissaggio per binario DIN**  
DIN rail mounting



**Fissaggio a vite**  
Screw type mounting