

MOD6RCCB26330A

NHP MOD6 Residual Current Circuit Breaker RCCB 1PN 63A
30mA Type A



MOD6
RESIDUAL CURRENT DEVICES



Component type	Residual current circuit breaker (RCCB)
Range	MOD6 RCD
Model	N/A
Product status	Existing

NHP MOD6 residual current devices (RCDs) offer a 6kA rating with a proven history in domestic and commercial applications. The MOD6 RCD range offers many solutions for both 1 phase in 10mA and 30mA sensitivities as well as 3 phase in 30mA sensitivities. The MOD6 RCDs can be easily installed into NHP loadcentres, as well as Concept One distribution panelboards.

ELECTRICAL

Number of poles	2.0
Voltage type	AC
Frequency	50/60 Hz
Rated current	63.0 A
Leakage current type	A
Rated leakage current	30.0 mA
Concurrently switching neutral conductor	Yes
Service voltage (Min)	287.0 V
Max. rated operation voltage U _e AC	455.0 V
Rated insulation voltage U _i	500.0 V
Rated impulse withstand voltage U _{imp}	6.0 kV
Rated fault current	6000.0 A
Selective protection	No
Electrical life at U _n , I _n (service cycles)	10000.0 cycles

CONSTRUCTION

Mounting method	DIN rail
Degree of protection (IP)	IP20
Additional equipment possible	Yes

MECHANICAL

Connectable conductor cross section solid-core	35 - 35 mm ²
Mechanical life (service cycles)	20000.0 cycles

DIMENSIONS

Height	86.0
Depth	76.0 mm
Weight	0.25 kg

ENVIRONMENT

Operating temperature	55 °C
Ambient temperature during operating	-25 - 55 °C
Storage temperature	70 °C

MOD6RCCB26330A

NHP MOD6 Residual Current Circuit Breaker RCCB 1PN 63A
30mA Type A



MOD6
RESIDUAL CURRENT DEVICES

ENVIRONMENT

Pollution degree

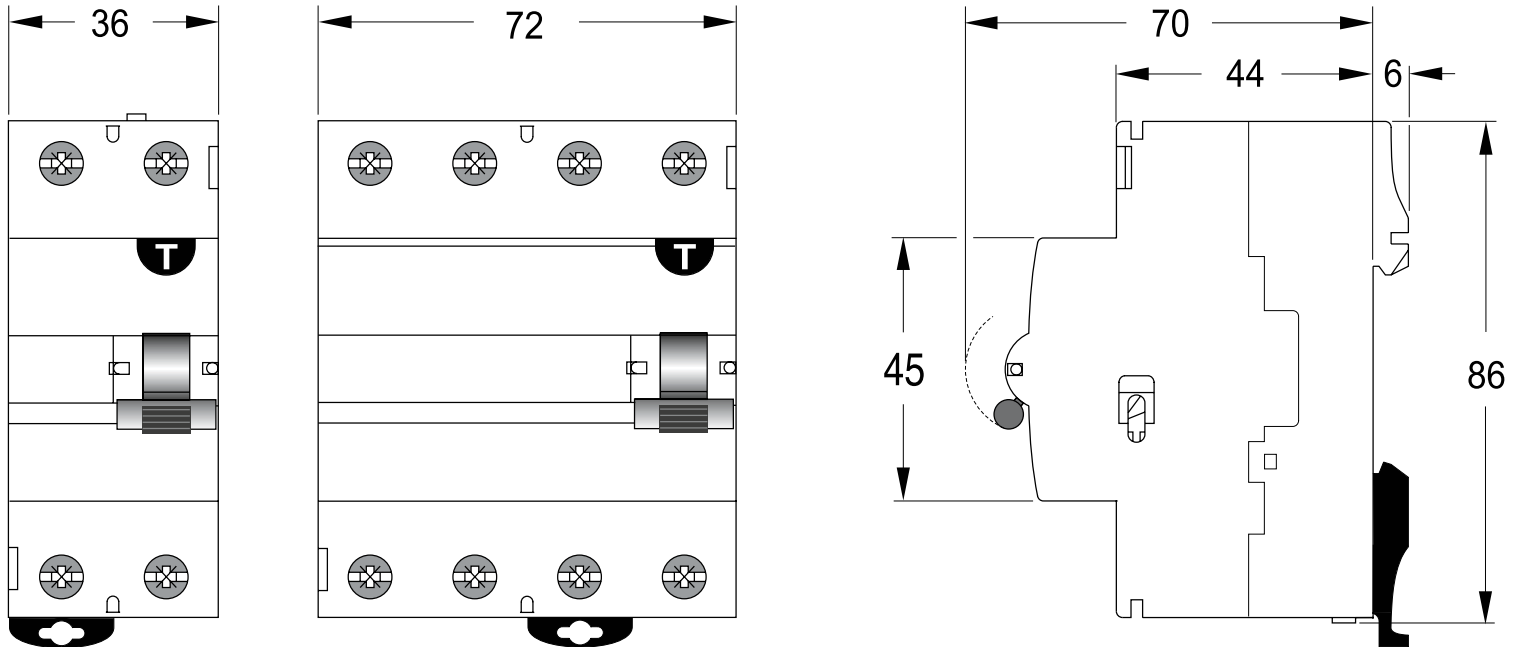
2.0

CERTIFICATES/APPROVALS

Explosion-proof

No

DIMENSIONAL DIAGRAM



RELATED PRODUCTS

ACCESSORY



Item No: DTLD

Required: No

Description: NHP DIN-T LOCKDIN Locking Device Removable Individual Piece 8mm



Item No: DTTLT25PN2

Required: No

Description: NHP MOD6 Miniature Circuit Breaker Terminal Axial Pin 25mm Long Insulated



Item No: DTPF12

Required: No

Description: NHP DIN-T Accessory Pole Filler 12Pole Strip 216mm equals 24 x 9mm Segments



Item No: IBC112P

Required: No

Description: NHP DIN-T Miniature Circuit Breaker Bus Comb 12 Way Pin Type 90 Degree 80A End Feed 130A Centre Feed



Item No: DTT9025PN

Required: No

Description: NHP MOD6 Miniature Circuit Breaker Terminal Insulated 90 Degrees 25mm Pin



Item No: IBC115P

Required: No

Description: NHP DIN-T Miniature Circuit Breaker Bus Comb 15 Way Pin Type 90 Degree 80A End Feed 130A Centre Feed



Item No: DTTAX16PN3

Required: No

Description: NHP MOD6 Miniature Circuit Breaker Terminal 3 Neutral Link suit RCCB

MOD6RCCB26330A

NHP MOD6 Residual Current Circuit Breaker RCCB 1PN 63A
30mA Type A



MOD6
RESIDUAL CURRENT DEVICES

RELATED PRODUCTS

ACCESSORY



Item No: IBC118P

Required: No

Description: NHP DIN-T Miniature Circuit Breaker Bus Comb 18 Way Pin Type 90 Degree 80A End Feed 130A Centre Feed

Item No: IBCEC1

Required: No

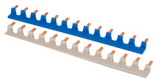
Description: NHP DIN-T Miniature Circuit Breaker Busbar Comb Endcap for 1Pole IBC



Item No: IBD213P

Required: No

Description: NHP MOD6 Miniature Circuit Breaker Busbar Comb 13 1PN Pin Type 90 Deg 80A End Feed 100A Centre Feed



Item No: IBD218P

Required: No

Description: NHP MOD6 Miniature Circuit Breaker Busbar Comb 18 Way 1PN Pin 80A End Feed 100A Centre Feed



Item No: IBD255P

Required: No

Description: NHP MOD6 Miniature Circuit Breaker Busbar Comb 55 Way 1PN Pin 80A End Feed 100A Centre Feed



Item No: IBDEC2

Required: No

Description: NHP MOD6 Miniature Circuit Breaker Busbar Comb Endcap for 2Pole IBD



Item No: ICL121F

Required: No

Description: NHP MOD6 Miniature Circuit Breaker Busbar Comb 12 Way 1P Fork 90 Deg 90A End Feed 150A Centre Feed

Item No: ICL181F

Required: No

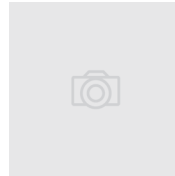
Description: NHP MOD6 Miniature Circuit Breaker Busbar Comb 18 Way 1P Fork 90 Deg 80A End Feed 130A Centre Feed



Item No: ICL41F

Required: No

Description: NHP MOD6 Miniature Circuit Breaker Busbar Comb 04 Way 1P Fork 80A End Feed and 130A Centre Feed



Item No: ICL561F

Required: No

Description: NHP DIN-T Miniature Circuit Breaker Bus Comb 57 Way 1Pole Fork Type 110A End Feed 130A Centre Feed



Item No: ICL573F

Required: No

Description: NHP DIN-T Miniature Circuit Breaker Bus Comb 57 Way 3Pole Fork Type 120A End Feed 130A Centre Feed

