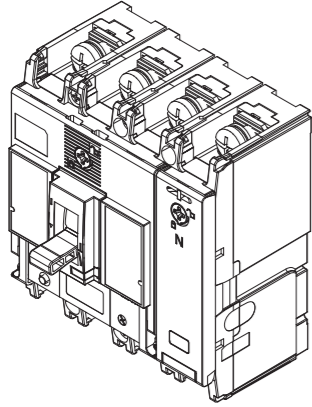




INSTALLATION INSTRUCTIONS MOULDED CASE CIRCUIT BREAKERS TEMBREAK PRO P160 4P SMART ELECTRONIC

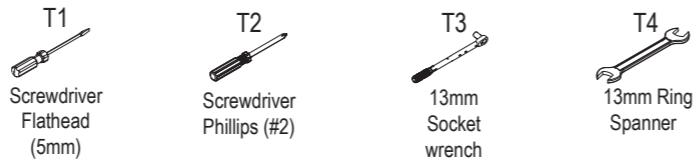


NHP Electrical Engineering Products Pty Ltd
A.B.N. 84 004 304 812

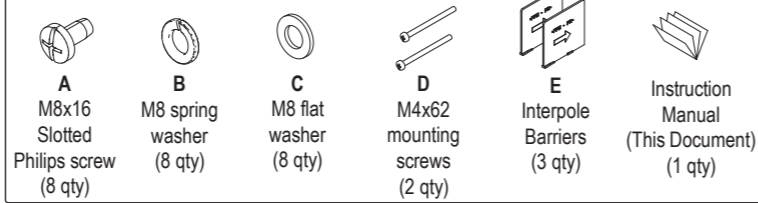
AUS 1300 NHP NHP
NZ 0800 NHP NHP

P160_4_SE-IN-001-EN V1.0.0

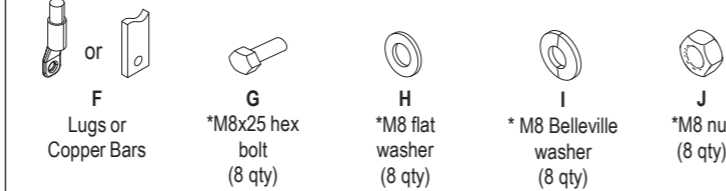
TOOLS REQUIRED (NOT included)



HARDWARE (included)

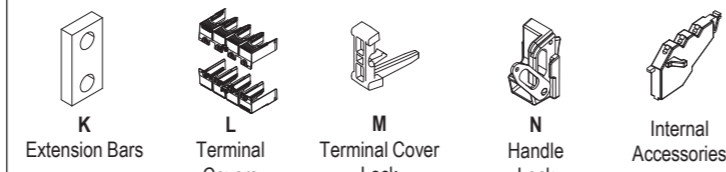


HARDWARE (NOT included)

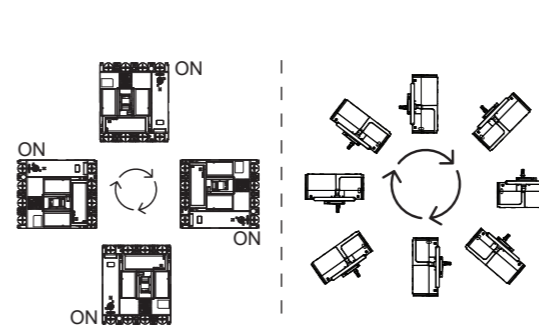


*For extension bar connection only

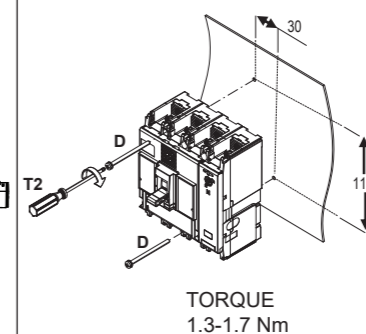
OPTIONAL (NOT included)



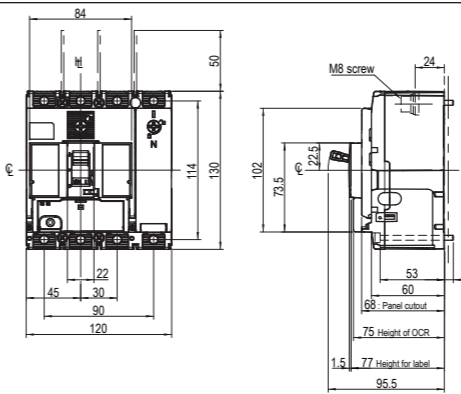
MOUNTING ANGLES



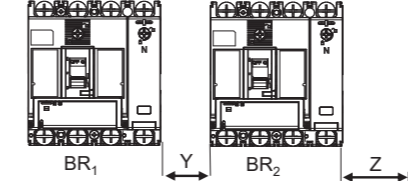
MOUNTING



DIMENSIONS



CLEARANCE

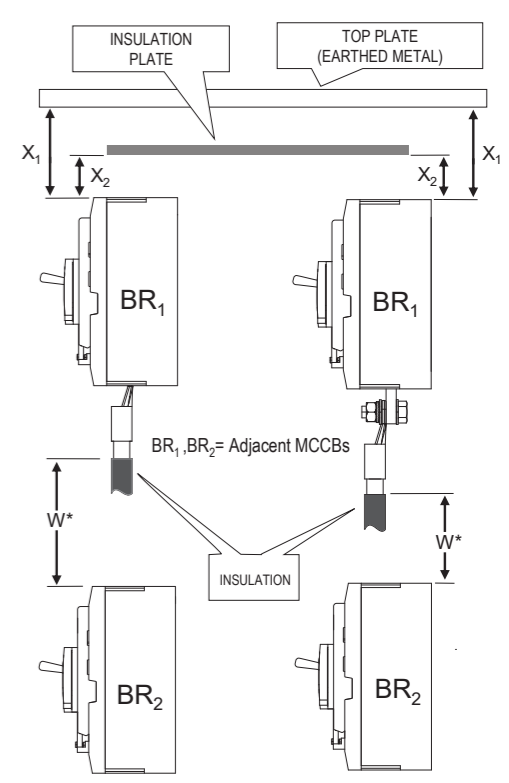


SIDE PLATE (EARTHED METAL)

| MCCB Cat No. | Y min (mm) | Z min (mm) |
|--------------|------------|------------|
| P160F | 0 | 25 |
| P160N | 0 | 25 |
| P160H | 0 | 25 |

BR₁, BR₂ = Adjacent Isolators / MCCBs

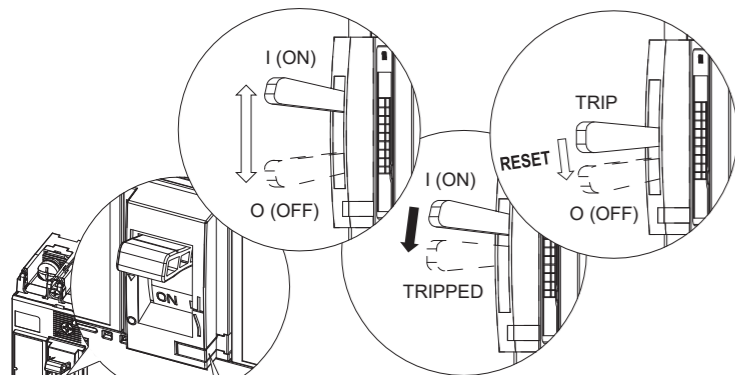
CLEARANCE



*distance from conductor insulation to downstream MCCB

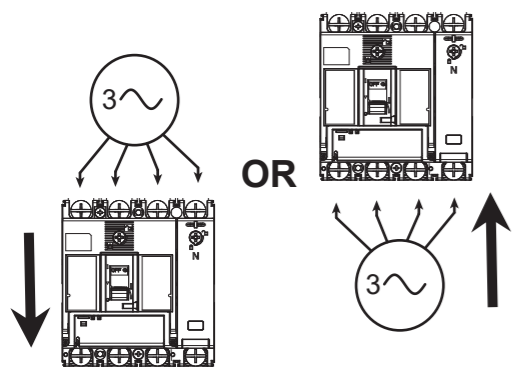
| MCCB Cat No. | W* min (mm) | X ₁ min (mm) | X ₂ min (mm) |
|--------------|-------------|-------------------------|-------------------------|
| P160F | 50 | 10 | 10 |
| P160N | 75 | 45 | 25 |
| P160H | 75 | 45 | 25 |

OPERATING INSTRUCTIONS



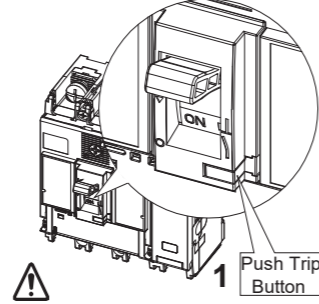
| Operation | Force (Nm) |
|------------|------------|
| OFF → ON | 40 |
| ON → OFF | 30 |
| TRIP → OFF | 60 |

DIRECTION OF POWER SUPPLY

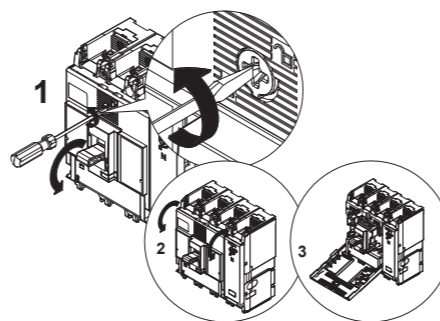


INTERNAL ACCESSORIES ASSEMBLY PROCEDURE*

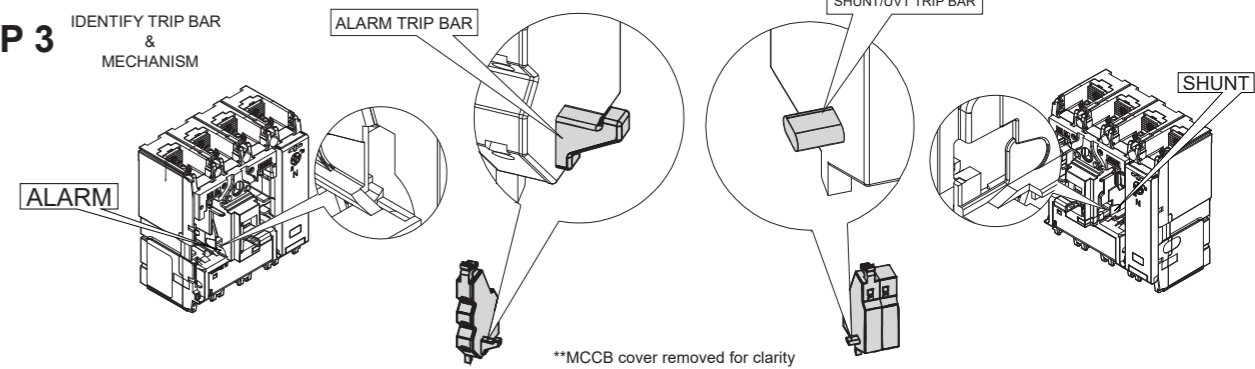
STEP 1 TRIP MCCB



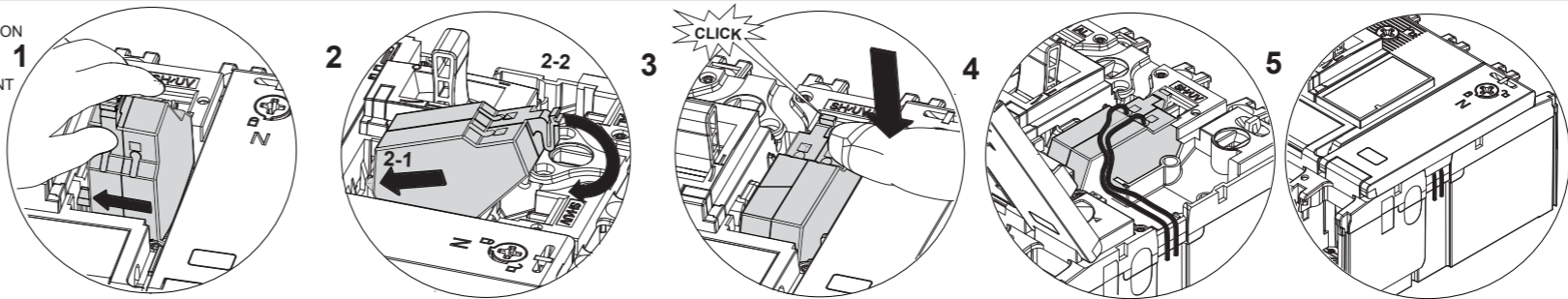
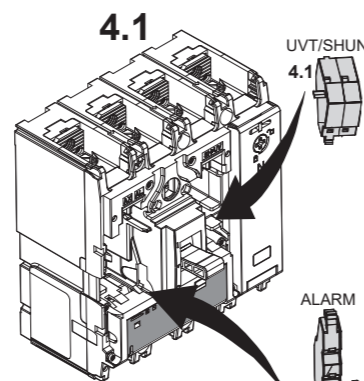
STEP 2 OPEN COVER



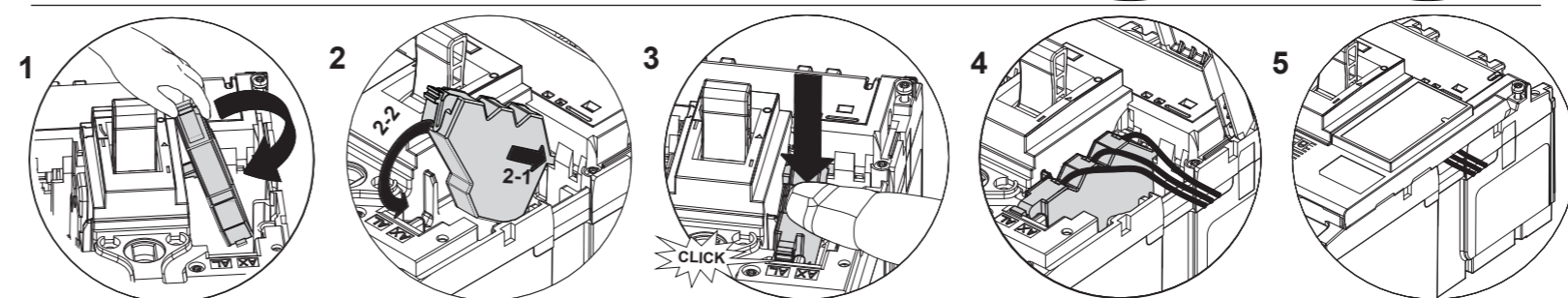
STEP 3 IDENTIFY TRIP BAR & MECHANISM



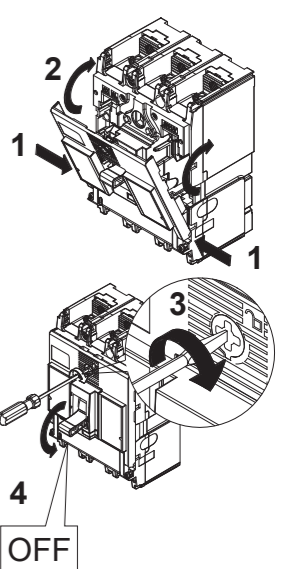
STEP 4.1 UVT/SHUNT INSTALLATION



STEP 4.2 ALARM INSTALLATION

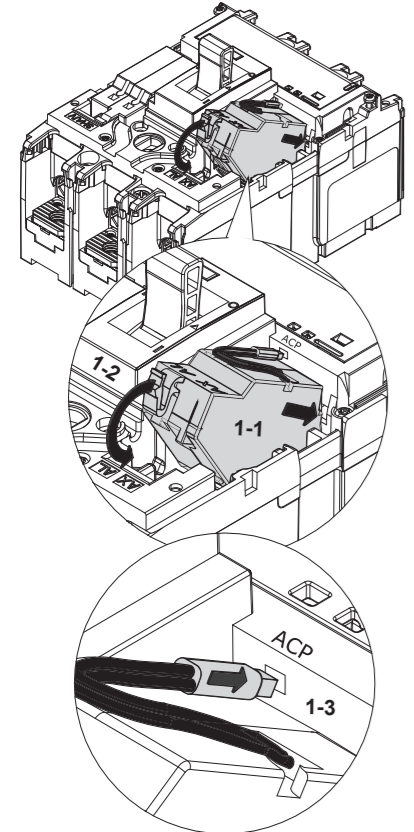


STEP 5 CLOSE MCCB COVER



*For additional internal accessory installations, scan QR code and refer to user manual for more details

SMART AX/AL INSTALLATION PROCEDURE

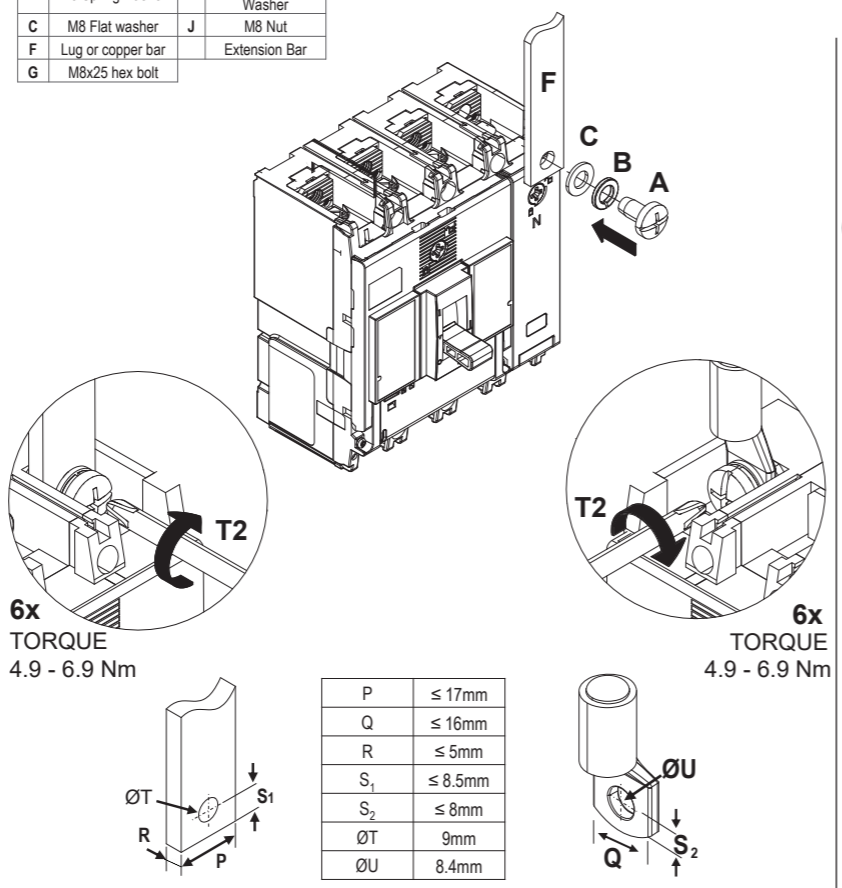


NOTE: SMART type AX/AL can only be installed in the LH side accessories chamber as shown above.

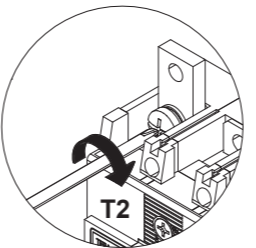
Follow steps 1,2 and 5 of 'Internal Accessories Mounting Procedure' to access and close the internal accessories chambers.

CONDUCTOR CONNECTION PROCEDURE -- FRONT CONNECTION -- EXTENSION BAR CONNECTION PROCEDURE

| | | | |
|---|----------------------|---|----------------------|
| A | M8x16 Phillips screw | H | M8 Flat washer |
| B | M8 Spring washer | I | M8 Belleville Washer |
| C | M8 Flat washer | J | M8 Nut |
| F | Lug or copper bar | | Extension Bar |
| G | M8x25 hex bolt | | |

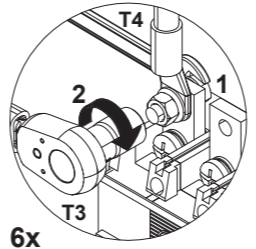


STEP 1



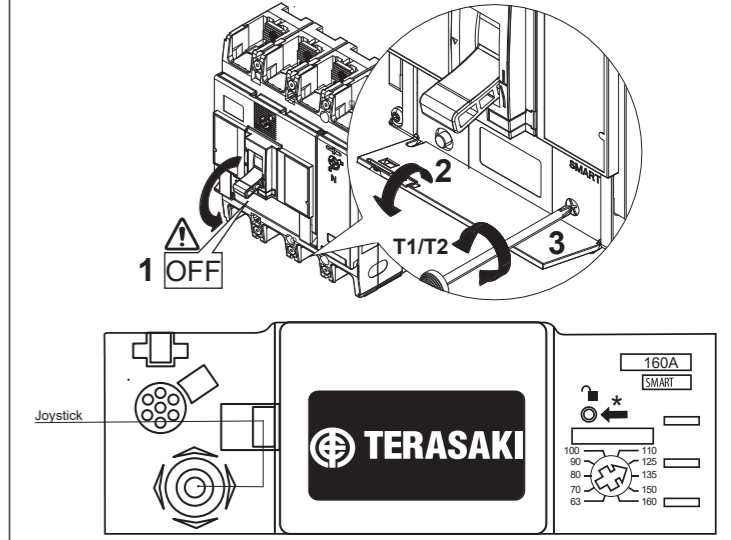
6x TORQUE 4.9 - 6.9 Nm

STEP 2



6x TORQUE 11.8 - 18.6 Nm

TRIP UNIT ADJUSTMENT PROCEDURE

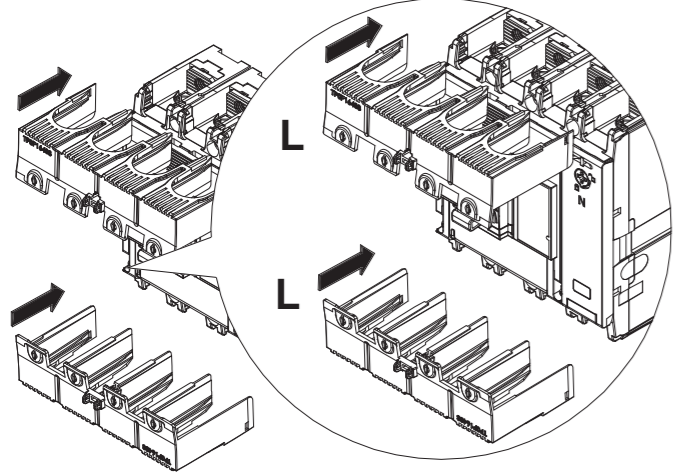


- NAVIGATION
- Adjust 'Ir' dial for desired rated current
 - To navigate between main menus, move joystick left or right
 - To navigate within a submenu, move joystick up or down
 - To confirm a setting change, press in the joystick

| Protection | Measurement | Configuration | Information |
|---------------------|--------------|-------------------|-------------|
| | | | |
| | | | |
| DISPLAY ORIENTATION | STANDBY MODE | SCREEN BRIGHTNESS | |

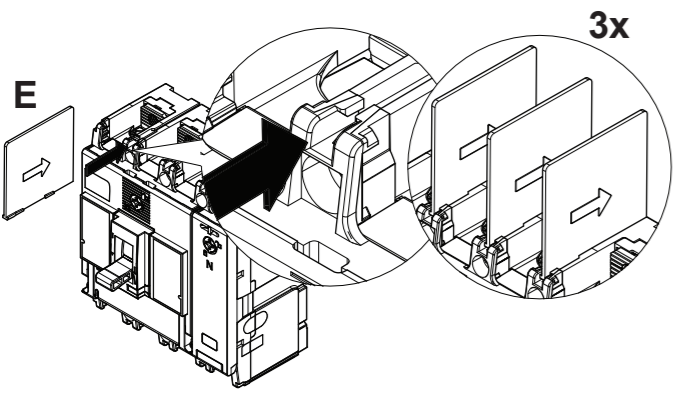
*by default, the SMART OCR Protection settings are protected via a locking function, to unlock, please press the unlock button
FOR MORE INFORMATION, PLEASE SCAN THE QR CODE

TERMINAL COVER

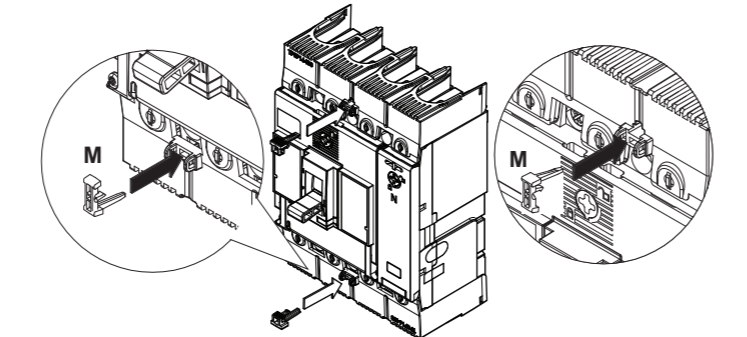
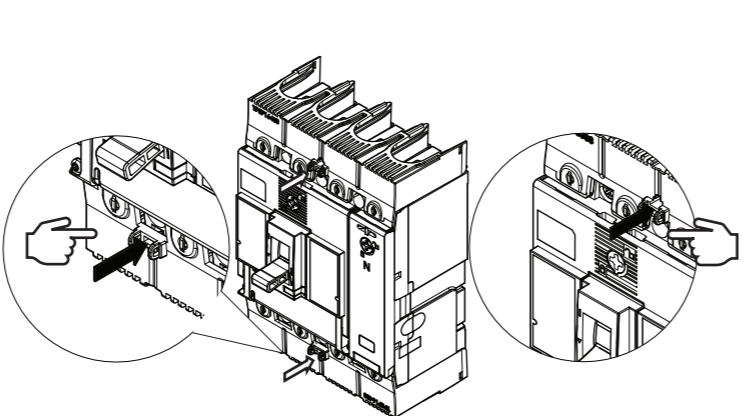


OR

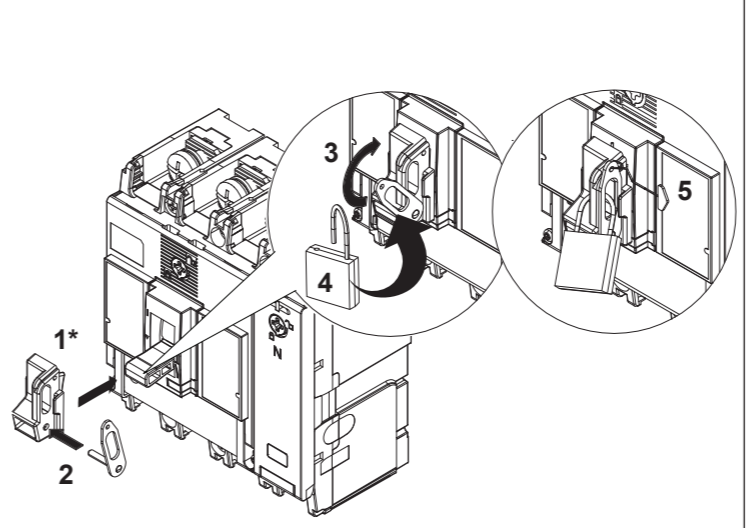
INTERPOLE BARRIER



TERMINAL COVER LOCK

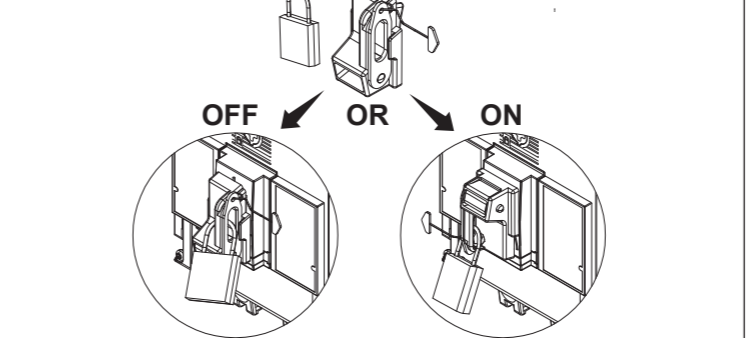


TOGGLE LOCK / PADLOCK ASSEMBLY PROCEDURE

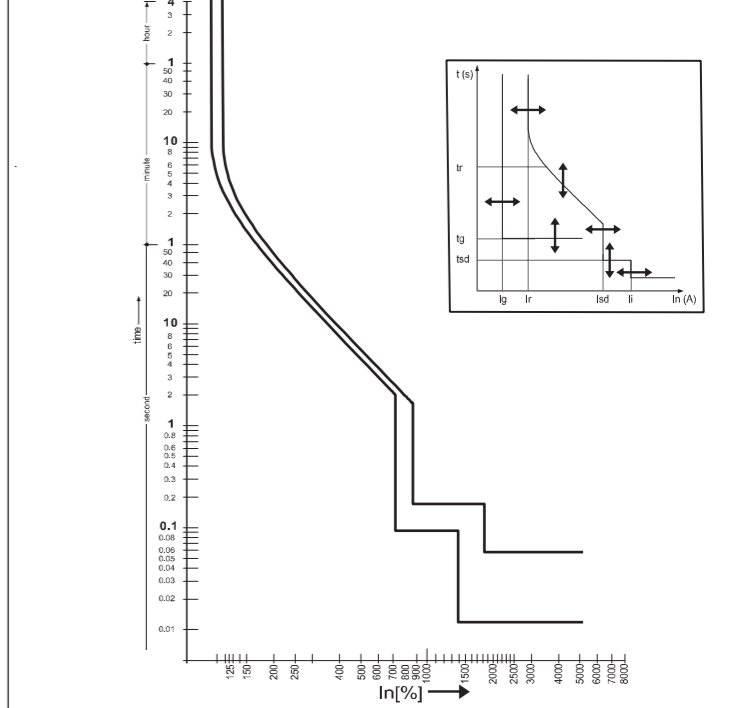


*Set MCCB toggle in required locking position i.e. OFF or ON

TOGGLE LOCK OPTION



TIME CURRENT CHARACTERISTIC CURVE



| | Threshold Adjustment | Time Setting |
|-----------------------|----------------------|--------------------------|
| Long-time protection | (Ir) | (tr) |
| Short-time protection | (Isd) | (tsd) (t' _t) |
| Instant protection | (li) | |
| Protecting Earth | (lg) | (tg) (t' _t) |
| Neutral protection | (N) | |

NOTE: The protection menu consists of sub-menus to view and edit each OCR protection setting