

32A DC isolating switch



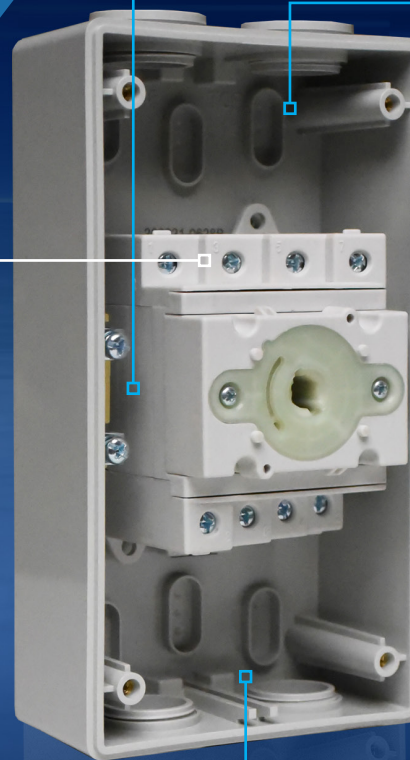
The new N-LINE enclosed DC isolating switch has been designed, engineered and developed for 1-20kw residential and commercial rooftop solar applications. This DC isolating switch provides a safe means of isolating your PV array during installation or maintenance while keeping you and your solar system from harm's way.

For all installations up to 1500V DC, the switch is fully compliant to AS 60947.3 and AS/NZS IEC 60947.1. In addition, the polycarbonate enclosure consists of an injected TPE gasket for IP66NW protection - ensuring best protection against damaging dust and moisture ingress.

Fully compliant with clear front labeling

2 x linking terminals

4 x M25 threaded entries with over-mount integrated TPE seal



2 x M25 rear cable entries and provision for external mounting brackets (included)



Injected TPE gasket ensures IP66NW protection

6 x internal mount pods

Pre-fitted compensation device

Padlockable in OFF position

Fully compliant with AS 60947.3:2018

Suitable to be used throughout Australia and New Zealand.

Robust IP66NW polycarbonate enclosure

Ensured protection against damaging moisture ingress and UV exposure.

Superior temperature performance

Long lasting service life and reliable switching.

Arcing time <3ms

Utmost safety and protection ensuring seamless isolation.

NHP part number	Accessories included	Description
NL432PV	NLAWMB	Wall mount brackets stainless steel - pack of 2
	NLARDM25M12	Reducer threaded M25 to M12
	NLA432PVBL	Bridging link to suit NL432PV DC isolating switch - pack of 2
		Mounting bracket screws (4) Screw caps (4) Base caps (6)

NL432PV characteristics according to AS 60947.3

NHP

Identification

Rating data

Assembly of switch and dedicated individual enclosure — catalogue number

NL432PV

I_{the} rated thermal current, indoor, at 40°C shade ambient air temperature, in a specific dedicated enclosure

32A

I_{the} rated thermal current outdoors at 40°C shade ambient air temperature without solar effects in a specific dedicated enclosure IP 66NW

32A

I_{the} solar current value, outdoors at 60°C shade ambient air temperature, with solar effects in a specific dedicated enclosure rated IP 66NW

29A

Method of operation

Independent manual operation (rotary)

Utilisation category

DC-PV2 / DC-21B

Number of poles

4

Non-polarised

Yes

Suitable for isolation

Yes

I_{the} rated thermal current outdoors at 40°C shade ambient air temperature without solar effects in a specific dedicated enclosure IP 66NW

32 A

Rated insulation voltage U_i

1500V

Rated impulse withstand voltage U_{imp}

8kV

Rated short-time withstand current I_{cw} (kA)

A2, A4: 1kA, 1s
A2+2, A4B, A4O, A4U: 1.7kA, 1s

Cu cable cross section

Rigid solid/stranded: 4 – 16 mm²
Flexible: 4 – 10 mm²

Cable Stripping Length

12mm

IP rating (with / without pressure compensation device)

IP66NW

Pollution degree

3

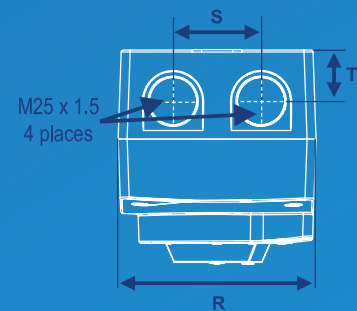
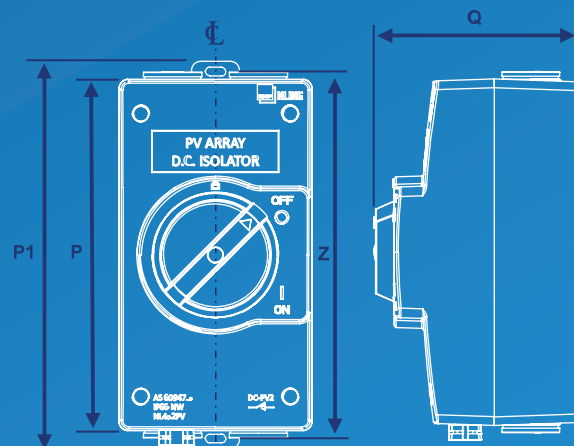
Operating temperature

-40°C to +85°C, suitable for indoor or outdoor use

Maximum ambient temperature

+70°C (without derating)

Connection Code	U_e Rated Operational Voltage (V d.c.)	I_e ; DC-PV2 Rated Operational current (A)	$I_{(make)}$ and $I_{c(break)}$ DC-PV2 $4 \times I_e$ (A)
A2 (2 poles in series) 	≤ 500	32	128
	600	32	128
	800	13	52
	1000	13	52
	1200	13	52
A2 + 2 (2 parallel poles in series) 	≤ 500	55	220
	600	55	220
	800	13	52
	1000	13	52
	1200	13	52
A4 (2 poles in series) 	≤ 500	32	128
	600	32	128
	800	13	52
	1000	13	52
	1200	13	52
A4O / A4U (4 poles in series) 	≤ 500	32	128
	600	32	128
	800	32	128
	1000	32	128
	1200	32	128
1500	23	92	



Dimensions

P	P1	Q	R	S	T	Z
180	198.5	107	99	44	25.5	188