

Fully Insulated Busbars

CUBIC's fully insulated busbar systems are constructed as arc free zones.

The fully insulated S2000 / S7000 busbar systems and the MD system are complying with requirements of the mining and petrochemical industries.

The click-on protection fully insulates the S2000 / S7000 busbar systems. The insulation is obtained by the use of polycarbonate coverings forming encapsulation around the busbar.

CUBIC's fully insulated busbar systems are designed on the basis of the Modular System. The conversion into arc free fully insulation has been designed according to this manual.

Go to index

CUBIC


DK Manual, Fuldisolerede skinner, erstatter tidligere udsendte.
Ret til ændringer forbeholdes.
Med forbehold for trykfejl.
© CUBIC-Modulsystem A/S
Kilde skal gengives ved kopiering


S Manual, Fullisolerade skensystem, ersätter tidigare utsända.
Rätt till ändringar förbehålles.
Vi reserverar oss för eventuella tryckfel.
© CUBIC-Modulsystem A/S
Källan skall anges vid kopiering


GB Manual, Fully insulated busbars, replaces previous versions.
CUBIC reserves the right to make any alterations.
Subject to misprints.
© CUBIC-Modulsystem A/S
The source must be stated when reproduction

D Manual, Voll-isolierte Schienen, ersetzt alle früheren Versionen.
Änderungen vorbehalten.
Vorbehalt der Druckfehler.
© CUBIC-Modulsystem A/S
Die Quelle muss an Kopierung angegeben werden

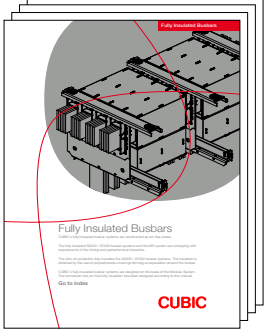
F Manual, Jeux de barres isolés, remplace les versions précédentes.
CUBIC se réserve le droit de modifier ses produits et décline toute
responsabilité en cas d'erreur ou d'omission dans le présent document.
© CUBIC-Modulsystem A/S
Toute reproduction doit mentionner la source CUBIC

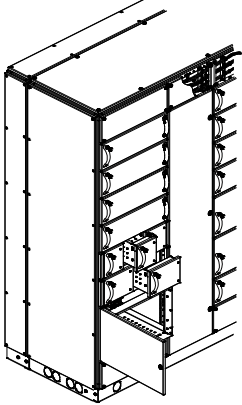
 **DK** Sidehenviisning
S Sidanvisning
GB Page reference
D Seitenanweisung
F Référence de page

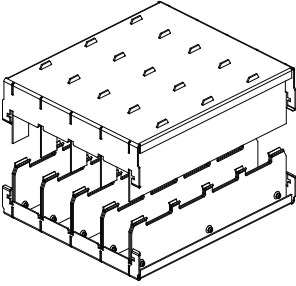
 **DK** Vigtig henvisning
S Viktig hänvisning
GB Important reference
D Wichtiger Verweis
F Référence importante

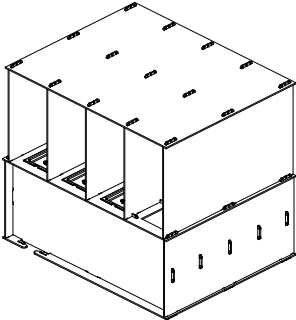

 **DK** Husk
S Kom ihåg
GB Remember
D Bitte bemerken
F Souvenez-vous, SVP

 **DK** God idé
S God idé
GB Good idea
D Gute Idee
F Bonne idée

	Introduction
	<p>CUBIC's click-on fully insulated S2000 / S7000 busbar system and MD system for outgoing units provide protection against arc faults. The click-on protection fully insulates the S2000 / S7000 busbar. The insulation is obtained by the use of polycarbonate coverings forming a kind of "shell" around the busbars.</p> <p>Read more...</p>
	004

	General Data
	<p>Module: 192 mm</p> <p>External dim. in modules, max.: No limits</p> <p>Weight, max.: 2400 kg per transport unit</p> <p>Material: Galvanized steel plate Iron phosphated steel plate</p> <p>Read more...</p>
	007

	S2000 FIB
	<p>Busbar covering, insulated S2000 S2000, End cover S2000HD S2000HD, Transport division S2000, Insulated busbar connection</p> <p>Read more...</p>
	009

	S7000 FIB
	<p>S7000, Busbar system S7000 / S2000, Mounting and facts S7000 / S2000, Order key S7000 / S2000, General assembly instructions S7000 / S2000, Busbar connection</p> <p>Read more...</p>
	 Video can be found on: www.cubicpartner.com
	015

Fully insulated busbars - Introduction

CUBIC's click-on fully insulated S2000 / S7000 busbar system and MD system for outgoing units provide protection against arc faults.

The click-on protection fully insulates the S2000 / S7000 busbar. The insulation is obtained by the use of polycarbonate coverings forming a kind of "shell" around the busbars.

Advantages by using CUBIC's fully insulated busbars:

- Modular assembling
- Service friendly
- Easy to inspect
- Maintenance free connections

- Reduced risk of human errors when assembling
- Prefabricated transparent coverings
- Approved materials

Busbar dimensions:

Main busbar S2000 (Horizontal) - 2/10x10 - 2/10x60

Main busbar S7000 (Horizontal) - 3/10x100 & 6/10x100

Main busbar (Incoming) - 2/10x10 - 2/10x30, 2/10x50 & 2/2/10x80

Main busbar (Outgoing) - 2/10x10 - 2/10x30, 2/10x50 & 2/2/10x80

This manual is shown with 4 poled busbar systems.

The rated current I_n of CUBIC fully insulated busbars can be generated by values given in the standard, CUBIC projecting manual and a decreasing of the values to $\leq 90\%$ because of the encapsulation ($I_{n_{fib}} = I_n \times 0.9$)

CUBIC assemblies are designed and constructed in accordance with CUBIC's documentation. This manual is also designed in accordance with the guidelines in SHELL DEP *) (Design and Engineering Practice).

The assemblies are especially intended for use in oil refineries, gas plants, chemical plants, exploration and production facilities and supply/marketing installations.

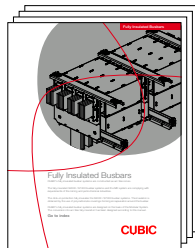
*) Subject to validity

- (DK) Fuldisolerede skinner, CUBIC dokumentation
- (S) Fullisolerade skensystem, CUBIC dokumentation
- (GB) Fully insulated busbars, CUBIC documentation
- (D) Voll-isolierte Schienen, CUBIC Dokumentation
- (F) Jeux de barres isolés, Documentation CUBIC

Date: 04 MAR 15

FIB 005

Index

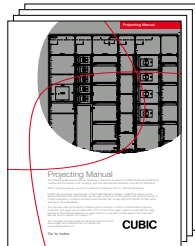


Fully Insulated Busbars

The guidelines in the fully insulated busbar manual supplement, change, or replace the similar guidelines in CUBIC's Projecting Manual and Instruction Manual.

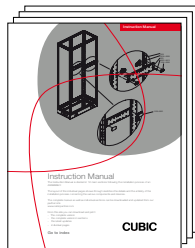
Furthermore, essential conditions are emphasised, for which the basis in the Shell standards and corresponding conditions in the IEC/EN standards differ much.

The guidelines are not exhaustive regarding Shell DEP, however all relevant rules in this respect must be followed.



CUBIC Projecting Manual

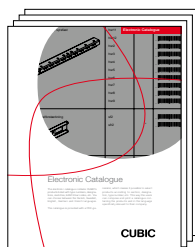
The Projecting Manual includes all necessary information to project a CUBIC electrical switchboard constructed in modules, and complying with the international standard the IEC 61439 series.



CUBIC Instruction Manual

The Instruction Manual is divided in 12 main sections following the installation process of an ASSEMBLY.

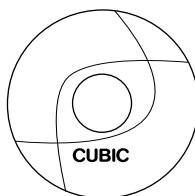
The layout of the individual pages shows through sketches the details and the entirety of the installation process concerning the various components and devices.



Electronic Catalogue

The electronic catalogue contains CUBIC's products listed with type numbers, designations, sketches, EAN13 bar codes, etc. You can choose between the Danish, Swedish, English, German and French languages.

The catalogue is provided with a PDF-generator, which makes it possible to select products according to section, designation, type number, etc. This way the users can compose and print a catalogue containing the products and in the language specifically relevant to their company.



CUBIC Galaxy

The electronic auxiliary tool: CUBIC Galaxy is of inestimable use for everybody who works professionally with panels. Via a very user-friendly menu system, the program gives access to a number of sub-programs. This provides the user with possibility of applying the various pieces of information from the switchboard documentation to an overall documentation.

The program is easily updated electronically, and furthermore it gives access to our component index.

CUBIC-Modulsystem A/S
Skjoldborgsgade 21
DK-9700 Broenderslev

Phone +45 98 82 24 00
Telefax +45 98 82 35 30
E-mail info@cubic.eu
Internet www.cubic.eu

CUBIC

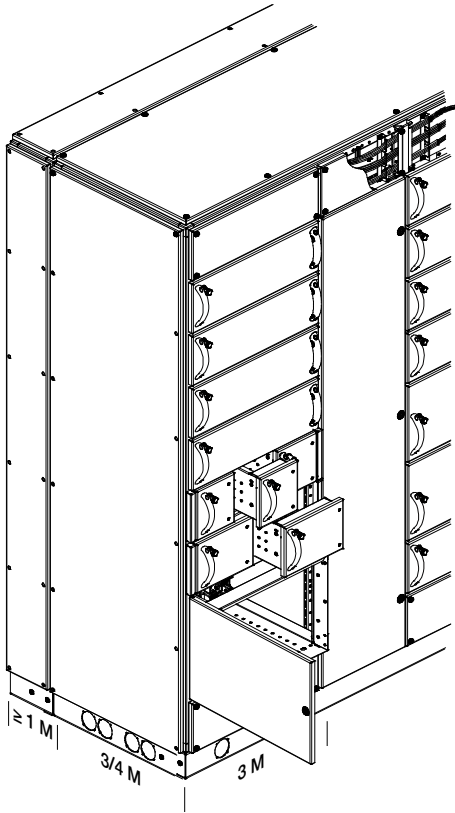
Check list for fully insulated busbars

S7000 busbar system shall be mounted with 1M or 2M between busbar holders.

All busbars are considered as being a "arc ignition protected zone" according to IEC/TR 61641, and a fault in this zone shall be virtually impossible under all conditions.

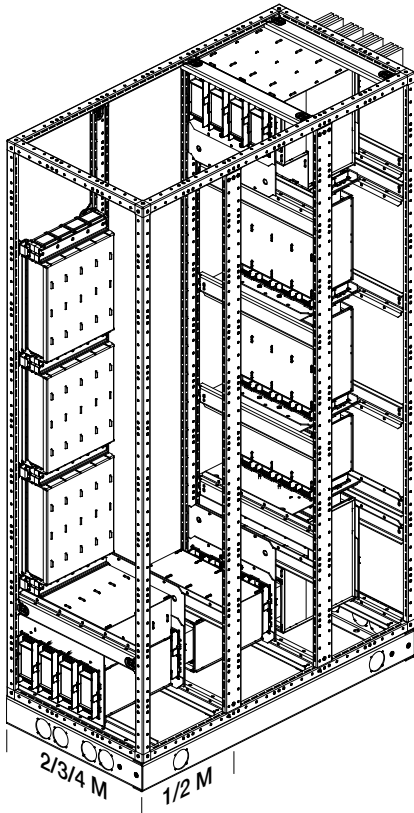
The insulated busbar system is IP 4X between phases, and from phase to ground.

Enclosure Data



Module:	192 mm
External dim. in modules, max.:	No limits
Weight, max.:	2400 kg per transport unit
Material:	Galvanized steel plate Iron phosphated steel plate
Standard colour:	Light grey (RAL 7035) Powder lacquered, 60-80 µm
Standard colour, plinth:	Light grey (RAL 7035) Powder lacquered, 60-80 µm
Degree of protection:	Up to IP54

Electro-technical Data



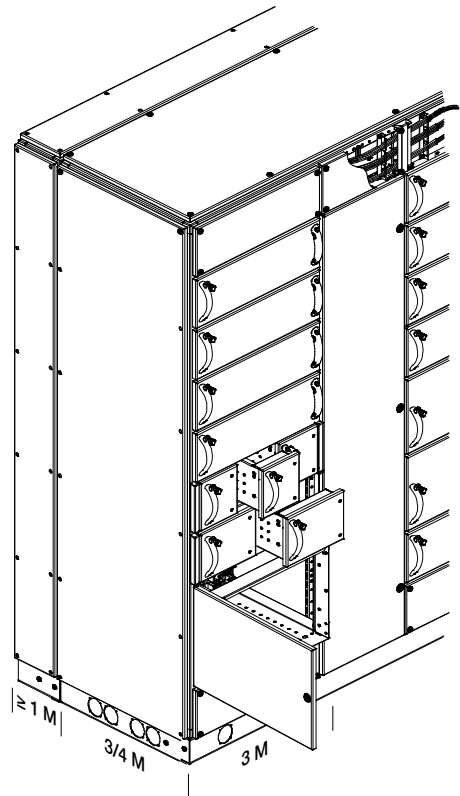
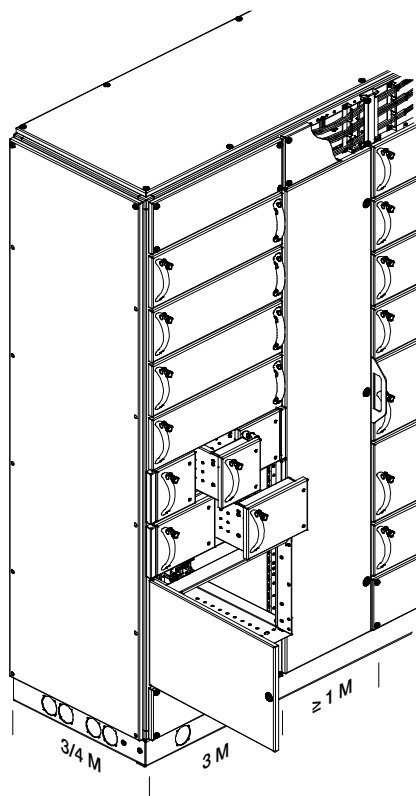
Standards and approvals:	IEC 61439	
Rated voltage and frequency:	Up to 1000 V; 50 Hz	
Test voltage:	Min. 3500 V	
Degree of protection:	Up to IP 4X	
Busbar systems:	System 2000	System 7000
Short-time withstand current, I_{cw} :	Up to 80 kA	Up to 120 kA
Peak withstand current, I_{pk} :	Up to 176 kA	Up to 264 kA

General Technical Data

Standards and approvals	IEC 61439	
Rated voltage (U_n)	Up to 1000 V; 50 Hz	
Test voltage	Up to 3.5 kV	
Main busbar (horizontal busbars)	Short-time withstand current, I_{cw} :	Up to 120 kA
	Peak withstand current, I_{pk} :	Up to 264 kA
Distribution busbar (vertical busbars)	Short-time withstand current, I_{cw} :	Up to 80 kA
	Peak withstand current, I_{pk} :	Up to 176 kA

Drawers (Functional units)	Size	Rated current, Cut-off current		Joule integrale	Prospective
		I	Peak	I^2t	short-circuit, I_{cc}
	1x1 M	Up to 40 A	Up to 15.4 kA	Up to $1.17 \times 10^6 A^2s$	Up to 120 kA
	1.5x1 M	Up to 200 A	Up to 33.3 kA	Up to $6.25 \times 10^6 A^2s$	Up to 120 kA
	3x1 M	Up to 630 A	Up to 73.1 kA	Up to $1.97 \times 10^7 A^2s$	Up to 120 kA
	3x1.5 M	Up to 630 A	Up to 73.1 kA	Up to $1.97 \times 10^7 A^2s$	Up to 120 kA
	3x2 M	Up to 630 A	Up to 73.1 kA	Up to $1.97 \times 10^7 A^2s$	Up to 120 kA
	3x3 M	Up to 630 A	Up to 73.1 kA	Up to $1.97 \times 10^7 A^2s$	Up to 120 kA

Internal separation	Form 3b or Form 4b
Degree of protection	Up to IP54, enclosure Up to IP30 with shutter, internal Up to IP20 without shutter, internal



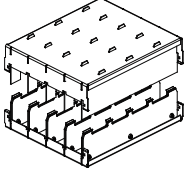
- (DK) Fuldisolerede skinner, S2000 / S2000HD, Typenumre
- (S) Fullisolerade skensystem, S2000 / S2000HD, Typ
- (GB) Fully insulated busbars, S2000 / S2000HD, Type numbers
- (D) Voll-isolierte Schienen, S2000 / S2000HD, Typ
- (F) Jeux de barres isolés, S2000 / S2000HD, Référence

Date: 04 MAR 15

FIB 009

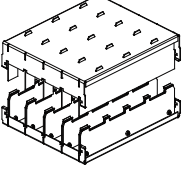
Index

Busbar covering, insulated
S2000/S2000HD



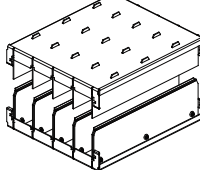
hsi2sl40s
hsi2sl50s
hsi2sl60s
hsi2dl40s
hsi2dl50s
hsi2dl60s

Busbar covering, insulated,
S2000/S2000HD



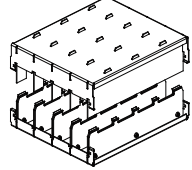
hsi2sm40s
hsi2sm50s
hsi2sm60s
hsi2dm40s
hsi2dm50s
hsi2dm60s

Busbar covering, insulated,
S2000 + S2000HD



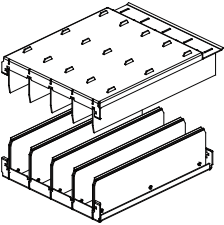
hsi1s
hsi2s
hsie1s
hsie2s

Busbar covering, insulated,
S2000/S2000HD



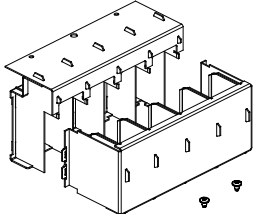
hsi2sr40s
hsi2sr50s
hsi2sr60s
hsi2dr40s
hsi2dr50s
hsi2dr60s

Busbar covering, insulated,
transport division, S2000HD



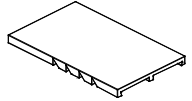
hsiet1s
hsiet2s

Busbar covering, insulated,
S2000/S2000HD



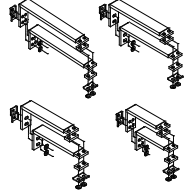
sic30s
sic40s

Busbar covering, insulated,
endcover, S2000

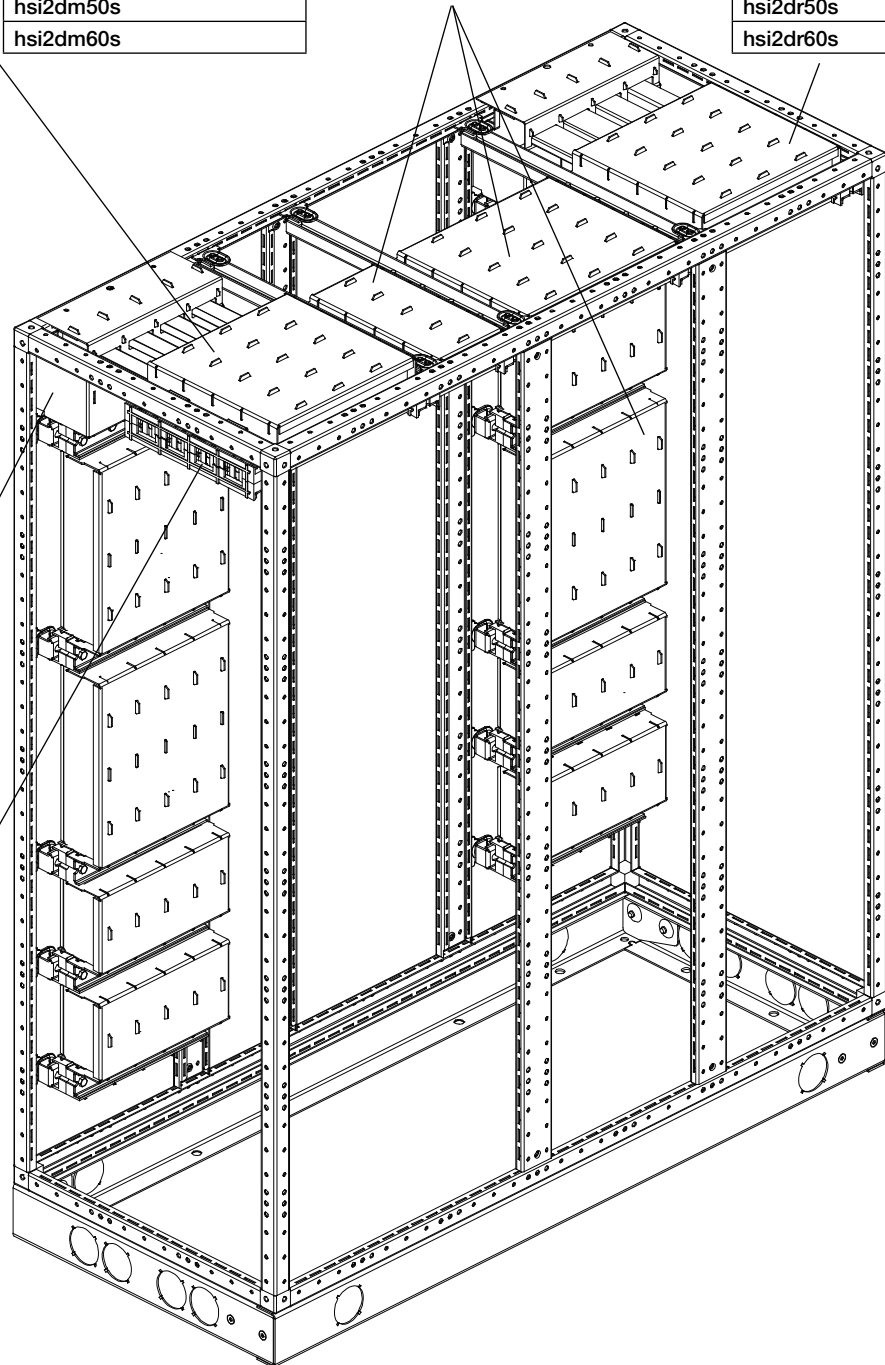


0641-0000

S2000, insulated busbar
connection



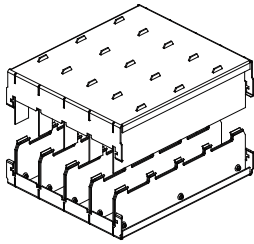
4977-1100s
4977-1103s
4977-1800s
4977-1803s



CUBIC-Modulsystem A/S
Skjoldborgsgade 21
DK-9700 Broenderslev

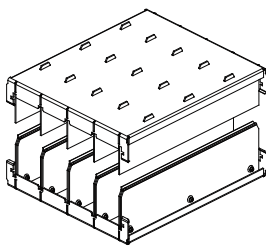
Phone +45 98 82 24 00
Telefax +45 98 82 35 30
E-mail info@cubic.eu
Internet www.cubic.eu

CUBIC



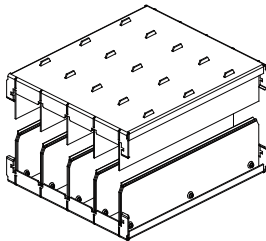
hsi2sl40s

Dimension of horizontal copper
 e.g. 40 = 10x40 mm copper
 Depends on which side of the panel the connection
 is placed. l = left , r = right or m = middle
 Depends on which connection is used.
 s = single or d = double
 Size in modules
 Type of cover (hsi = horizontal busbar
 insulated covering)



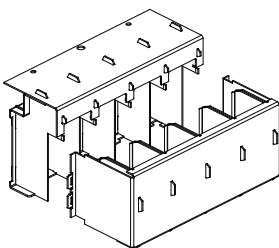
hsi1s

Size of cover (1 = 1 module between
 busbar holders)
 Type of cover (hsi = horizontal busbar
 insulated covering)



hsie1s

Size of cover (1 = 1 module between
 busbar holders)
 Ende
 Type of cover (hsi = horizontal busbar
 insulated covering)



sic30s

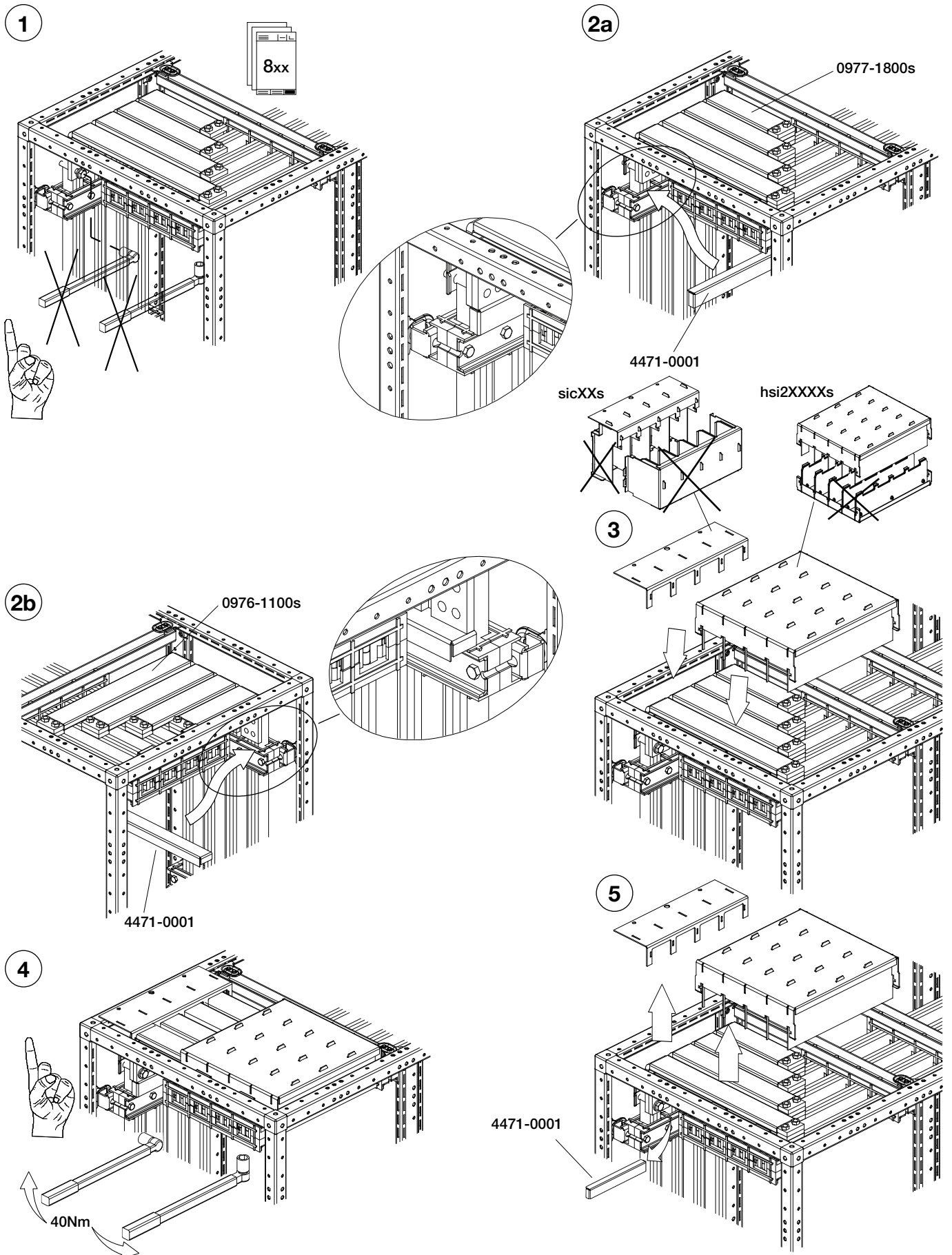
Dimension of vertical copper
 e.g. 30 = 10x30 mm copper
 Type of cover (sic = busbar insulated
 connection)

- Ⓚ Fuldisolerede skinner, S2000 / S2000HD
- Ⓢ Fullisolerade skensystem, S2000 / S2000HD
- ⓖB Fully insulated busbars, S2000 / S2000HD
- ⓓ Voll-isolierte Schienen, S2000 / S2000HD
- ⓕ Jeux de barres isolés, S2000 / S2000HD

Date: 04 MAR 15

FIB 011

Index



CUBIC-Modulsystem A/S
 Skjoldborgsgade 21
 DK-9700 Broenderslev

Phone +45 98 82 24 00
 Telefax +45 98 82 35 30
 E-mail info@cubic.eu
 Internet www.cubic.eu

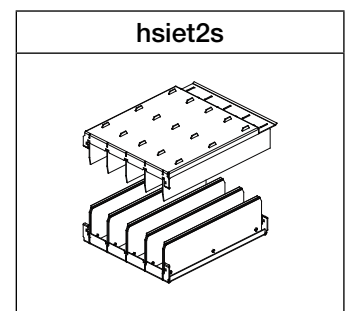
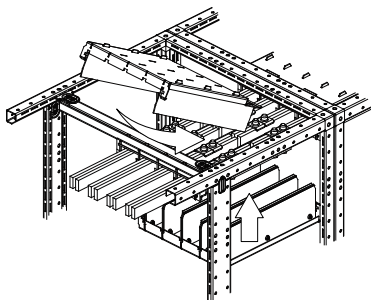
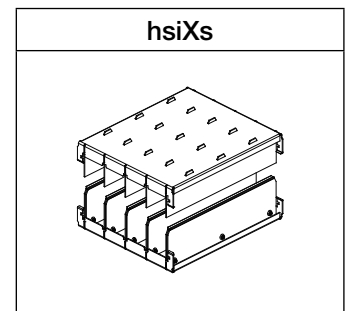
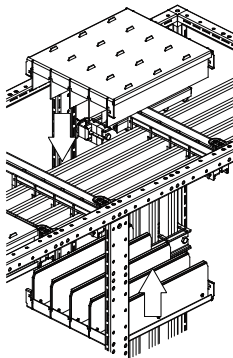
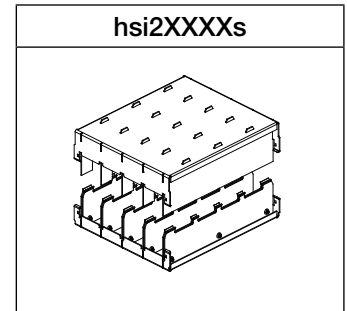
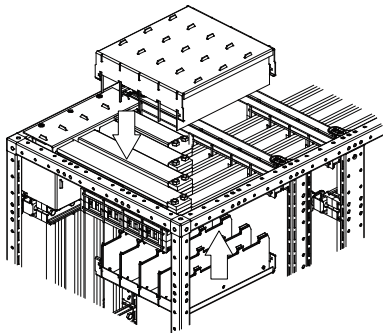
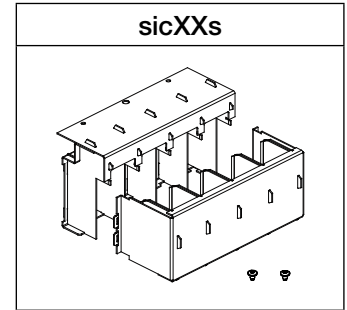
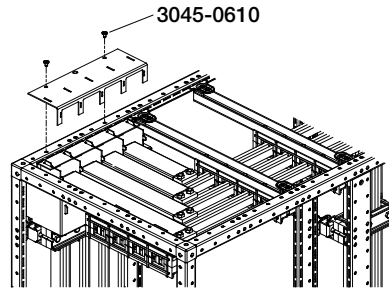
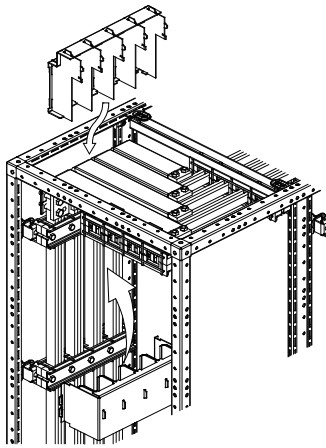
CUBIC

- Ⓚ Fuldisolerede skinner, S2000 / S2000HD
- Ⓢ Fullisolerade skensystem, S2000 / S2000HD
- ⒼⒷ Fully insulated busbars, S2000 / S2000HD
- Ⓓ Voll-isolierte Schienen, S2000 / S2000HD
- Ⓕ Jeux de barres isolés, S2000 / S2000HD

Date: 04 MAR 15

FIB **012**

Index



CUBIC-Modulsystem A/S
 Skjoldborgsgade 21
 DK-9700 Broenderslev

Phone +45 98 82 24 00
 Telefax +45 98 82 35 30
 E-mail info@cubic.eu
 Internet www.cubic.eu

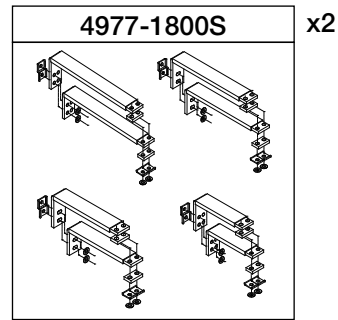
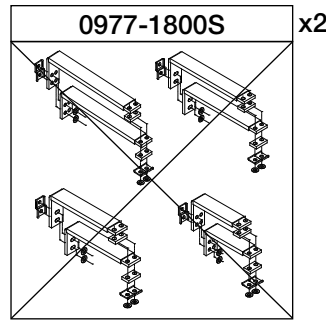
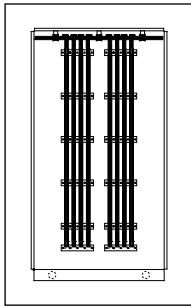
CUBIC

- (DK) Fuldisolerede skinner, S2000 dobbelt / S2000HD
- (S) Fullisolerade skensystem, S2000 dubbla / S2000HD
- (GB) Fully insulated busbars, S2000 double / S2000HD
- (D) Voll-isolierte Schienen, S2000 doppelt / S2000HD
- (F) Jeux de barres isolés, S2000 double / S2000HD

Date: 04 MAR 15

FIB 013

Index



Busbar covering, insulated
S2000/S2000HD

hsi2l40ds
hsi2l50ds
hsi2l60ds

Busbar covering, insulated,
S2000/S2000HD

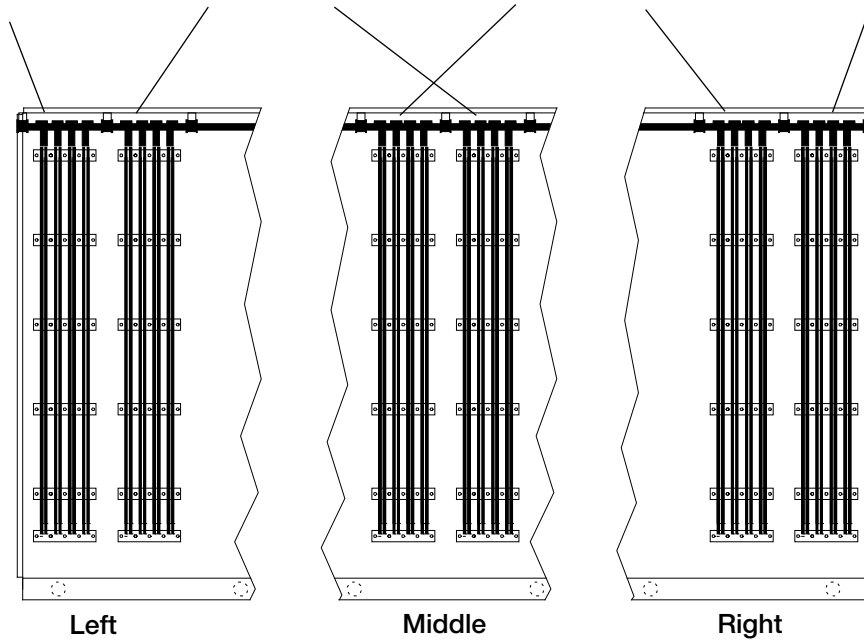
hsi2m40d2s
hsi2m50d2s
hsi2m60d2s

Busbar covering, insulated,
S2000/S2000HD

hsi2m40d1s
hsi2m50d1s
hsi2m60d1s

Busbar covering, insulated,
S2000/S2000HD

hsi2r40ds
hsi2r50ds
hsi2r60ds



hsi2l40d1s

- Type of middle covering
- Type 1 covers 2 phases, type 2 covers a phase and Neutral
- S2000 Double
- Dimension of horizontal busbar
e.g. 40 = 10x40 mm cubber
- Depends on which side of the panel the connection is placed. l = left , r = right or m = middle
- Size in modules
- Type of cover (hsi = horizontal busbar insulated covering)

CUBIC-Modulsystem A/S
Skjoldborgsgade 21
DK-9700 Broenderslev

Phone +45 98 82 24 00
Telefax +45 98 82 35 30
E-mail info@cubic.eu
Internet www.cubic.eu

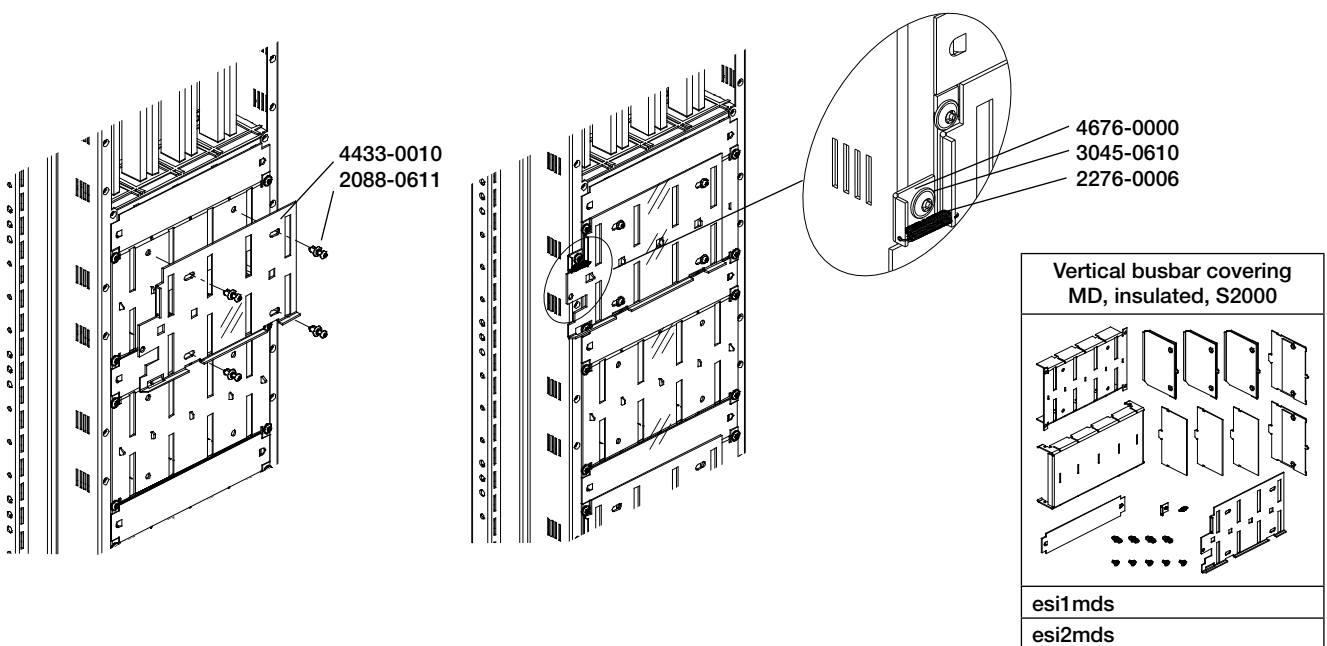
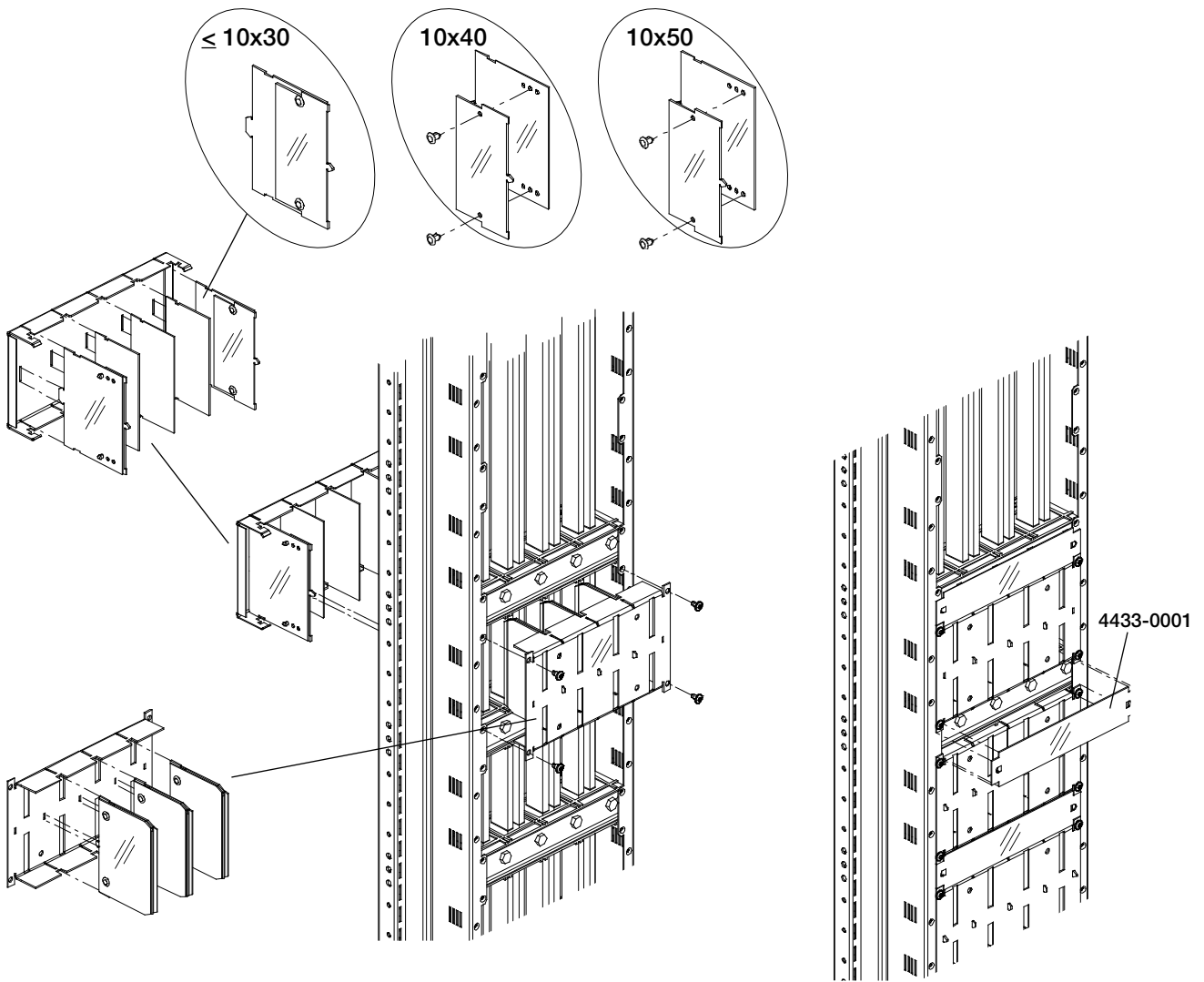
CUBIC

- Ⓚ Fuldisolerede skinner, MD, S2000
- Ⓢ Fullisolerade skensystem, MD, S2000
- ⓖⓅ Fully insulated busbars, MD, S2000
- Ⓝ Voll-isolierte Schienen, MD, S2000
- ⓕ Jeux de barres isolés, MD, S2000

Date: 04 MAR 15

FIB 014

Index



CUBIC-Modulsystem A/S
 Skjoldborgsgade 21
 DK-9700 Broenderslev

Phone +45 98 82 24 00
 Telefax +45 98 82 35 30
 E-mail info@cubic.eu
 Internet www.cubic.eu

CUBIC

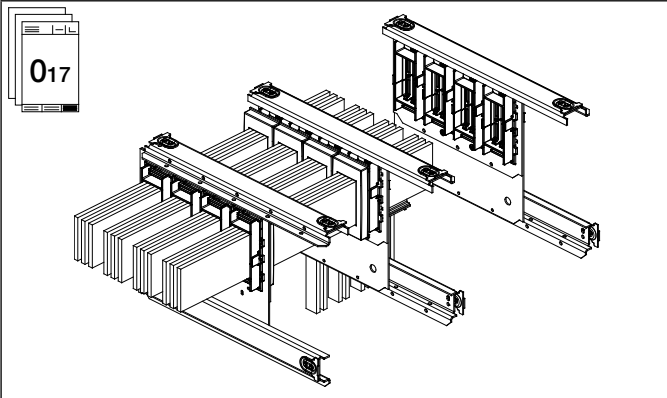
- DK S7000, Index
- S S7000, Index
- GB S7000, Index
- D S7000, Index
- F S7000, Index

Date: 04 MAR 15

FIB **015**

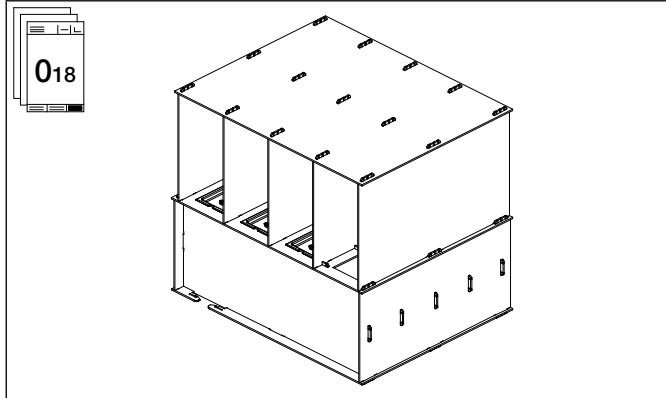
Index

Busbar system



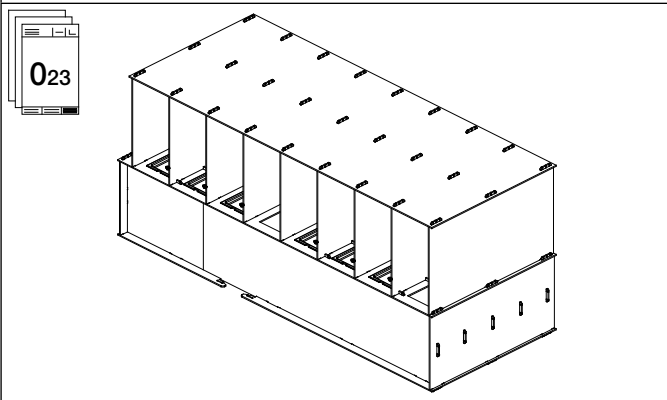
017

S7000 / S2000 - 2x10x30 & 2x10x50



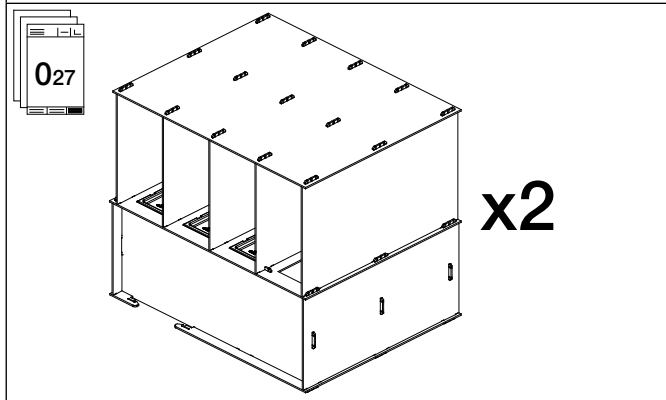
018

S7000 / S2000 MD in 4M Deep - 2x10x30 & 2x10x50



023

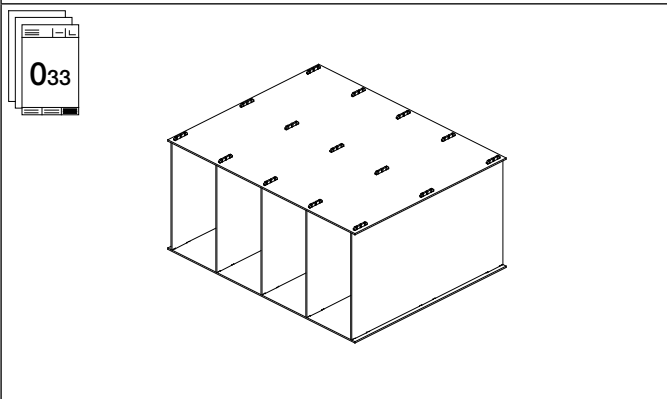
S7000 / S2000 - 2x (2x10x80)



027

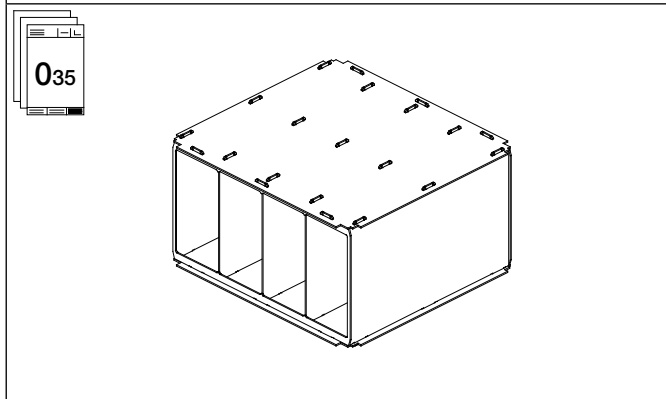
x2

S7000 Blank



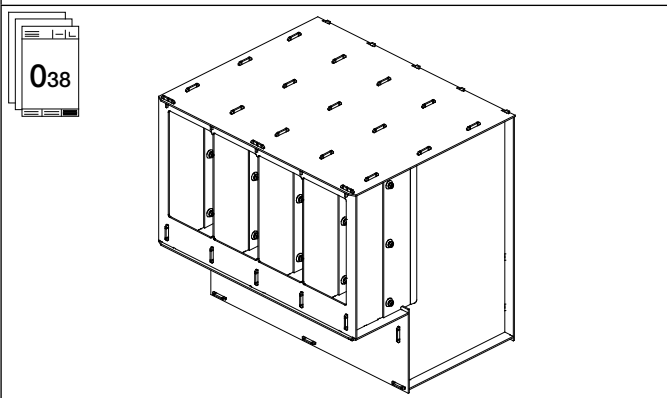
033

S7000 Transport division



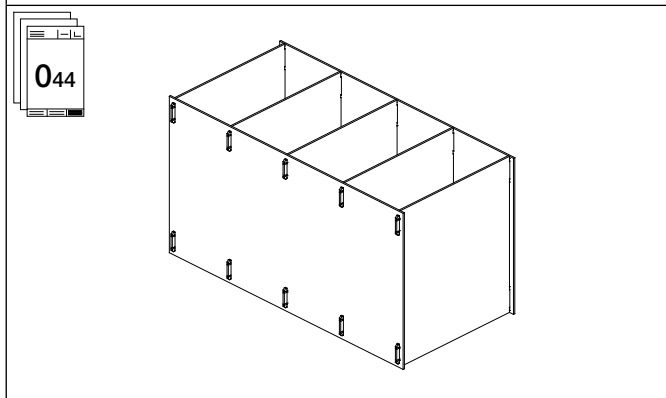
035

S7000 / S7000



038

S7000 Vertical blank



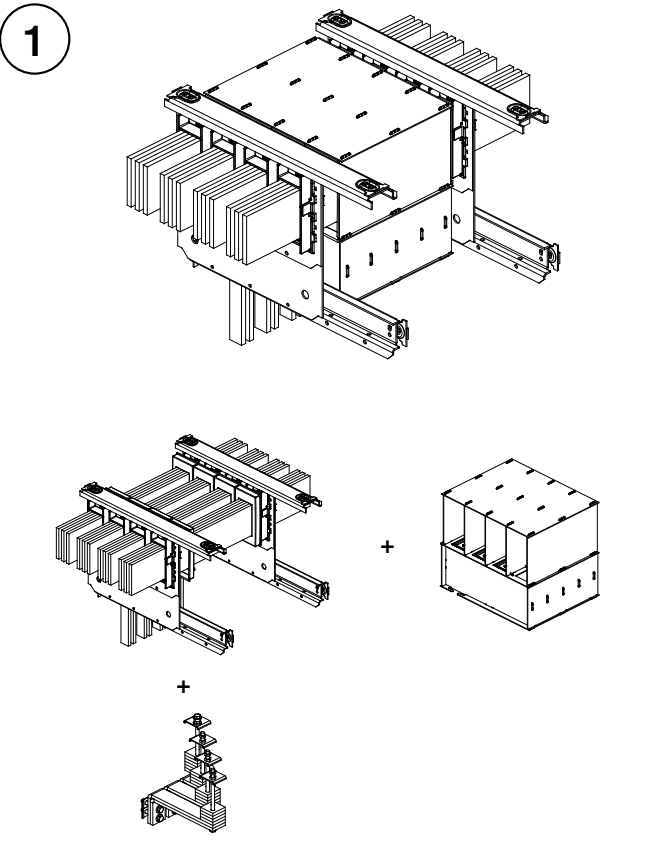
044

CUBIC-Modulsystem A/S
 Skjoldborgsgade 21
 DK-9700 Broenderslev

Phone +45 98 82 24 00
 Telefax +45 98 82 35 30
 E-mail info@cubic.eu
 Internet www.cubic.eu

CUBIC

Presentation

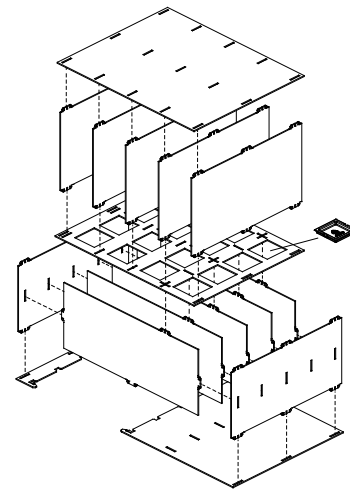


Selection

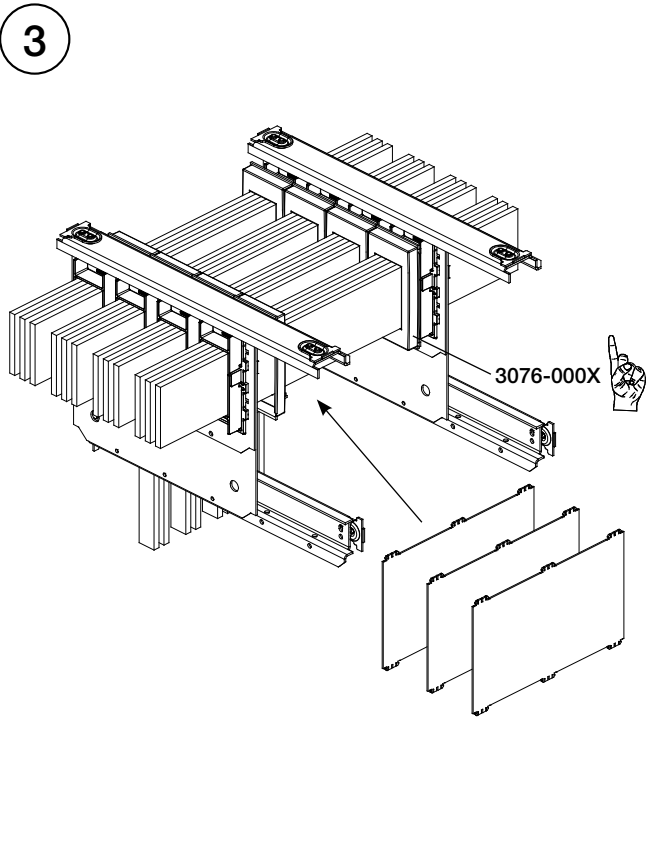
2

S7000 » Item id.	S2000 ≤ 2x10x30			
	3P FIB7303s	4P FIB7304s	6P FIB7306s	8P FIB7308s
4731-002X	1x 4731-0023	1x 4731-0024	1x 4731-0026	1x 4731-0028
4732-0002	4x 4732-0002	5x 4732-0002	7x 4732-0002	9x 4732-0002
4733-00XX	1x 4733-0033	1x 4733-0034	1x 4733-0036	1x 4733-0038
4734-0001	2x 4734-0001	2x 4734-0001	2x 4734-0001	2x 4734-0001
4735-00XX	5x 4735-0033	5x 4735-0034	5x 4735-0036	5x 4735-0038
4736-00XX	1x 4736-0033	1x 4736-0034	1x 4736-0036	1x 4736-0038
4737-0000	1x 4737-0000	1x 4737-0000	1x 4737-0000	1x 4737-0000
3075-5050	4x 3075-5050	6x 3075-5050	8x 3075-5050	12x 3075-5050
3076-000X	6x 3076-000X	8x 3076-000X	12x 3076-000X	16x 3076-000X

Connection » See page 021



Instruction



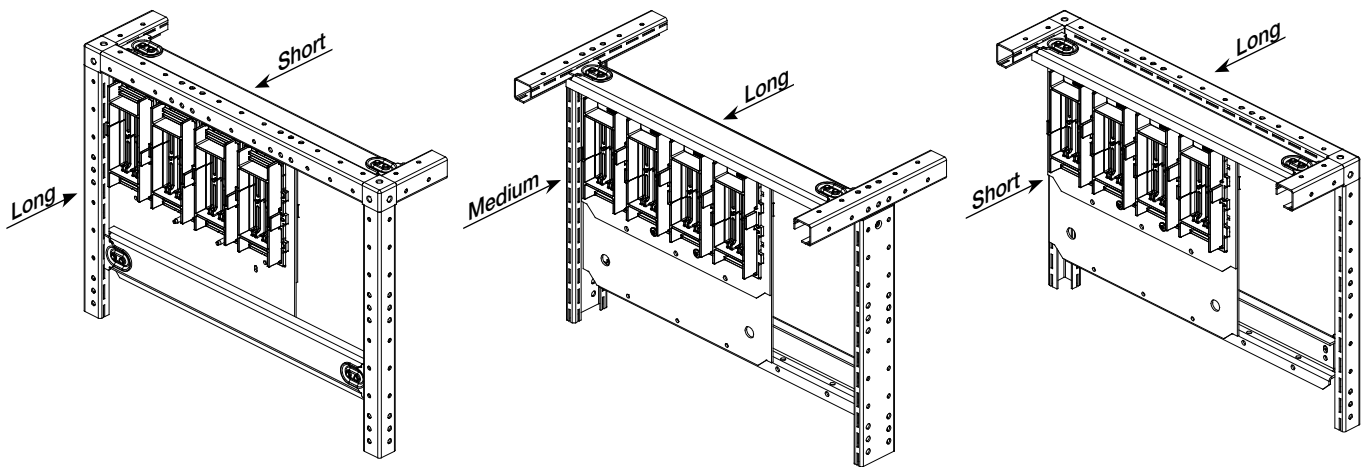
- Ⓚ S7000, Skinesystem
- Ⓢ S7000, Skensystem
- ⒼⒷ S7000, Busbar system
- Ⓓ S7000, Schienensystem
- Ⓕ S7000, Système de jeux de barres

Date: 04 MAR 15

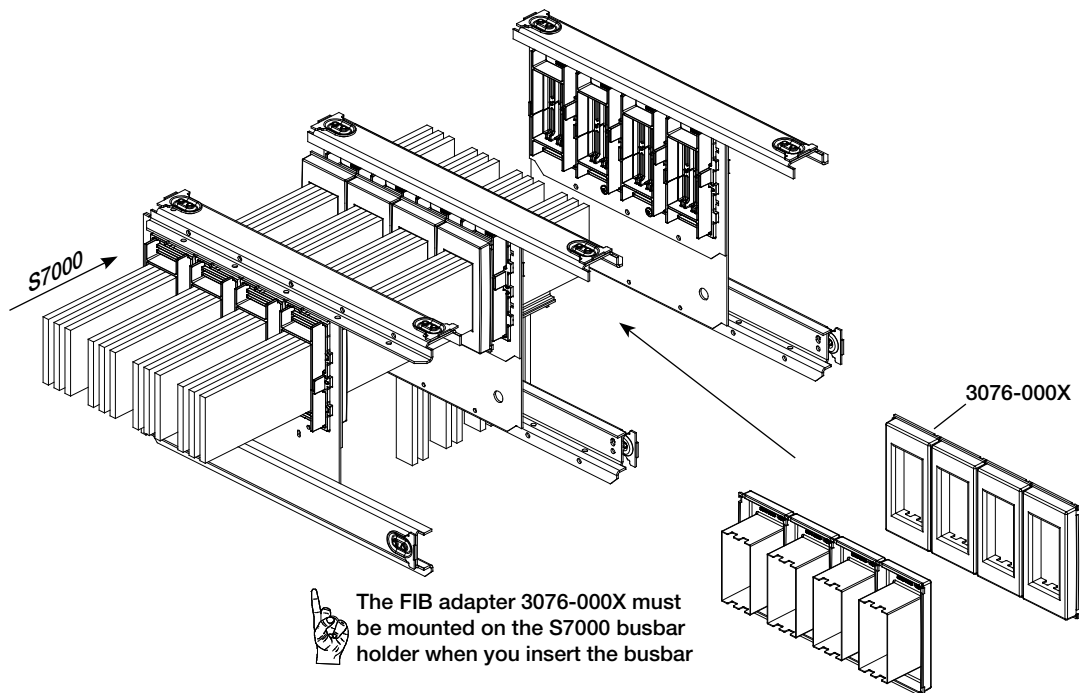
FIB 017

Index

Adaptor		
3076-0003 Long	3076-0002 Medium	3076-0001 Short



The images above illustrate how to mount your S7000 busbar holders in your switchboard, and which FIB adaptor you need to use in that holder. For further information go to www.cubicpartner.com



CUBIC-Modulsystem A/S
Skjoldborgsgade 21
DK-9700 Broenderslev

Phone +45 98 82 24 00
Telefax +45 98 82 35 30
E-mail info@cubic.eu
Internet www.cubic.eu

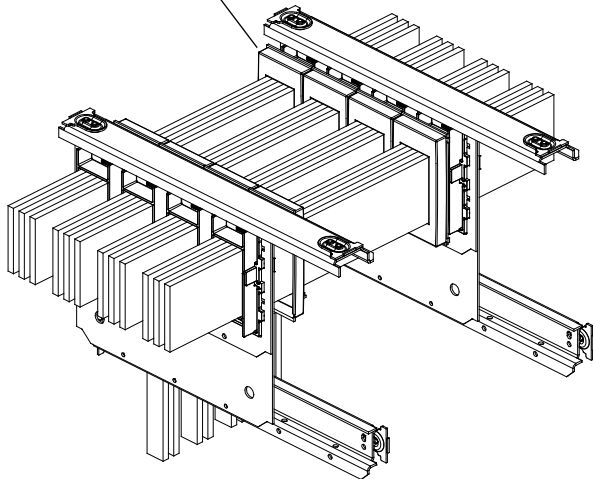
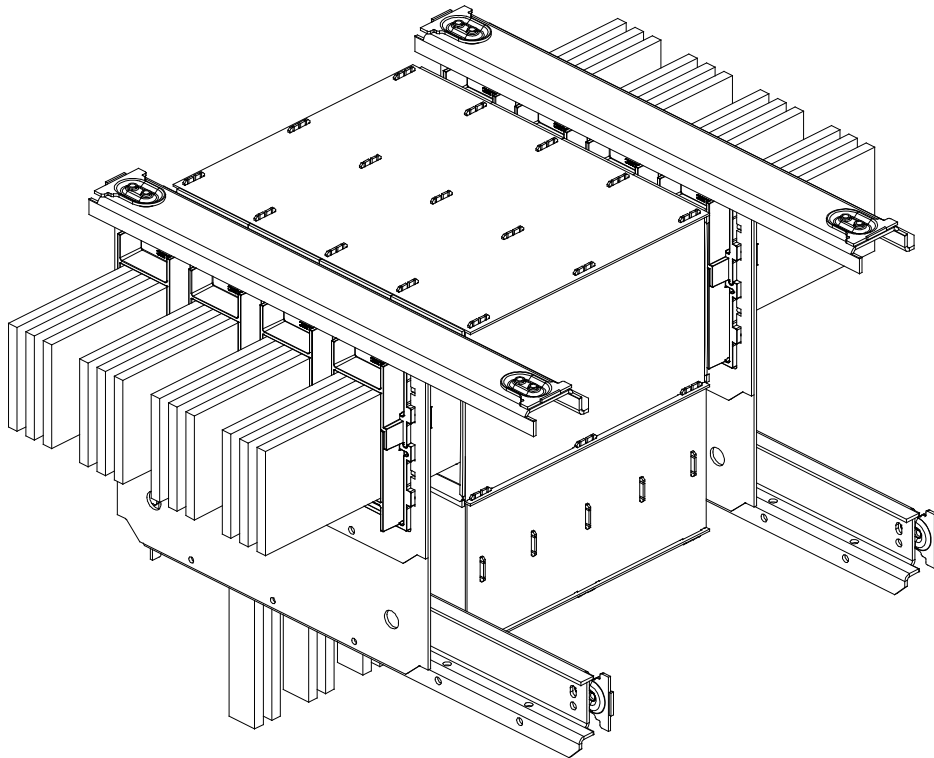
CUBIC

- Ⓚ S7000 / S2000, Montering og fakta
- Ⓢ S7000 / S2000, Montering och fakta
- ⓖⓅ S7000 / S2000, Mounting and facts
- Ⓓ S7000 / S2000, Montage und Fakten
- Ⓕ S7000 / S2000, Montage et faits

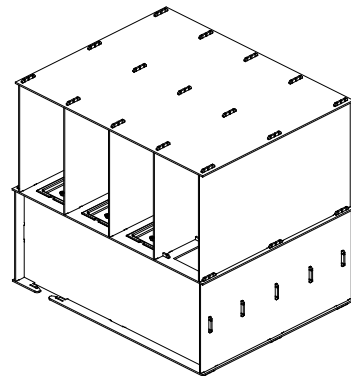
Date: 04 MAR 15

FIB **018**

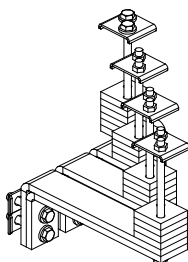
Index



+



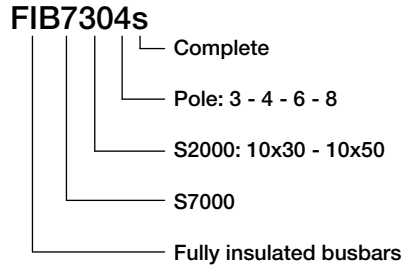
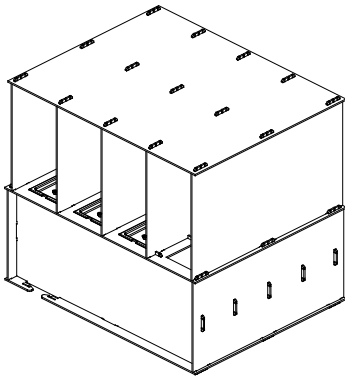
+



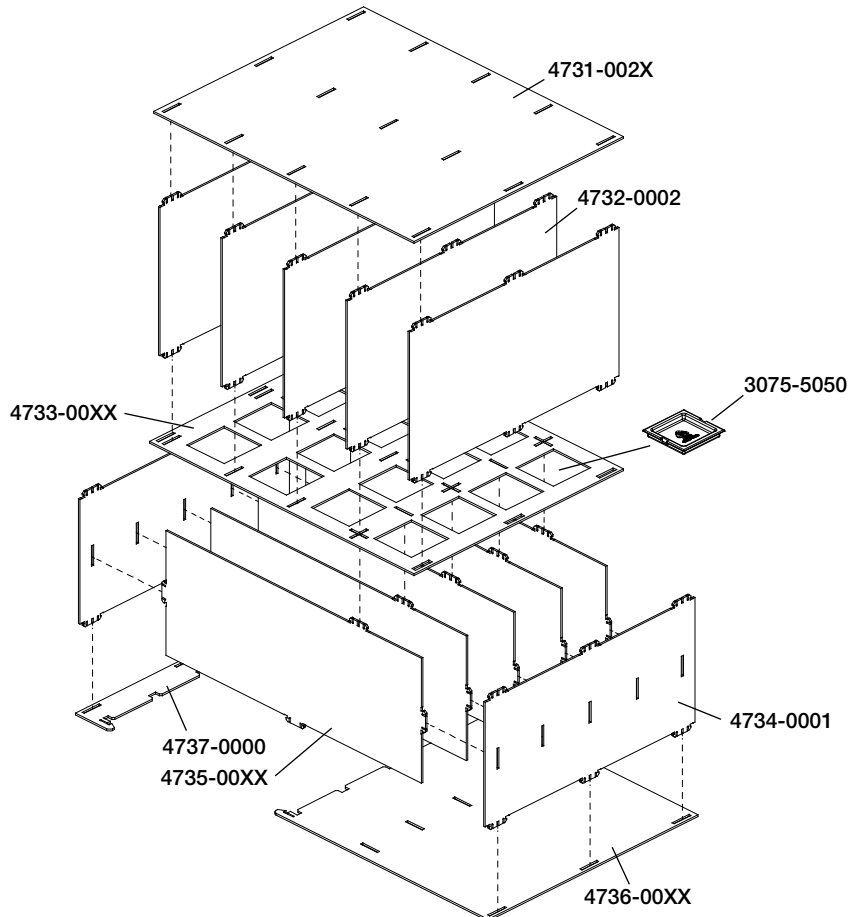
CUBIC-Modulsystem A/S
 Skjoldborgsgade 21
 DK-9700 Broenderslev

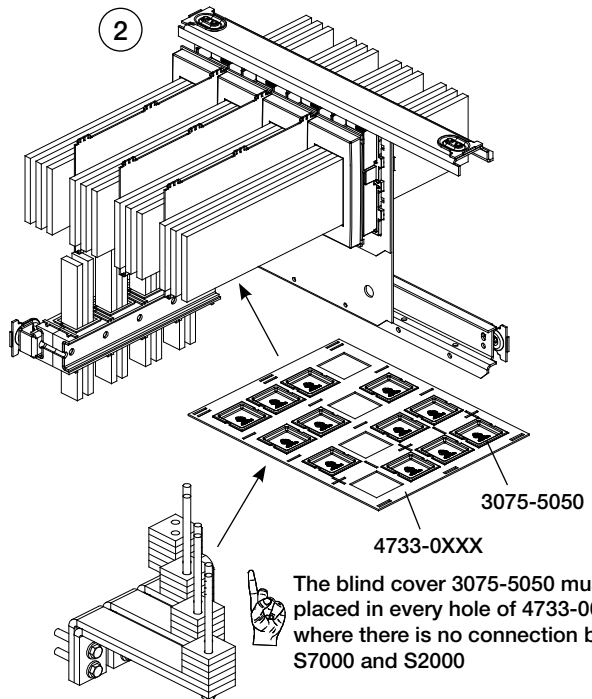
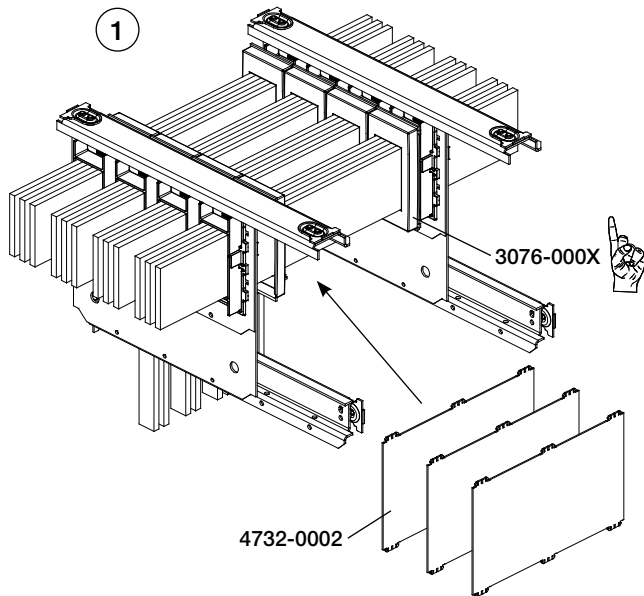
Phone +45 98 82 24 00
 Telefax +45 98 82 35 30
 E-mail info@cubic.eu
 Internet www.cubic.eu

CUBIC

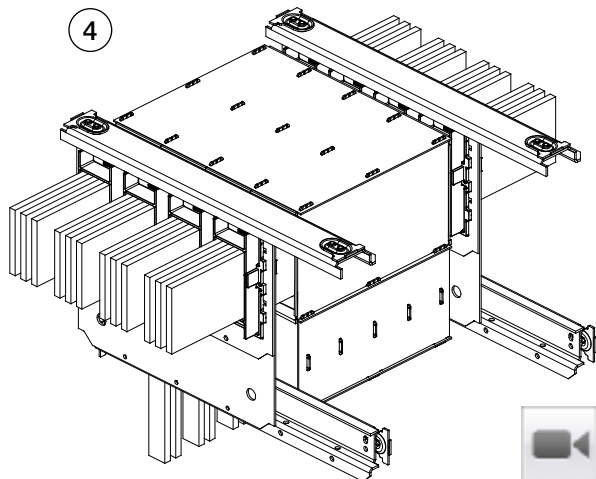
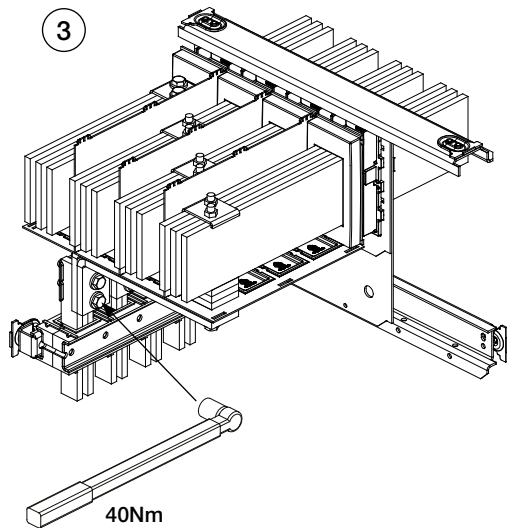


S7000 »	S2000 ≤ 2x10x30				S2000 = 2x10x50			
	3P	4P	6P	8P	3P	4P	6P	8P
Item id.	FIB7303s	FIB7304s	FIB7306s	FIB7308s	FIB7503s	FIB7504s	FIB7506s	FIB7508s
4731-002X	1x 4731-0023	1x 4731-0024	1x 4731-0026	1x 4731-0028	1x 4731-0023	1x 4731-0024	1x 4731-0026	1x 4731-0028
4732-0002	4x 4732-0002	5x 4732-0002	7x 4732-0002	9x 4732-0002	4x 4732-0002	5x 4732-0002	7x 4732-0002	9x 4732-0002
4733-00XX	1x 4733-0033	1x 4733-0034	1x 4733-0036	1x 4733-0038	1x 4733-0053	1x 4733-0054	1x 4733-0056	1x 4733-0058
4734-0001	2x 4734-0001	2x 4734-0001	2x 4734-0001	2x 4734-0001	2x 4734-0001	2x 4734-0001	2x 4734-0001	2x 4734-0001
4735-00XX	5x 4735-0033	5x 4735-0034	5x 4735-0036	5x 4735-0038	5x 4735-0053	5x 4735-0054	5x 4735-0056	5x 4735-0058
4736-00XX	1x 4736-0033	1x 4736-0034	1x 4736-0036	1x 4736-0038	1x 4736-0033	1x 4736-0034	1x 4736-0036	1x 4736-0038
4737-0000	1x 4737-0000	1x 4737-0000	1x 4737-0000	1x 4737-0000	1x 4737-0000	1x 4737-0000	1x 4737-0000	1x 4737-0000
3075-5050	4x 3075-5050	6x 3075-5050	8x 3075-5050	12x 3075-5050	4x 3075-5050	6x 3075-5050	8x 3075-5050	12x 3075-5050
3076-000X	6x 3076-000X	8x 3076-000X	12x 3076-000X	16x 3076-000X	6x 3076-000X	8x 3076-000X	12x 3076-000X	16x 3076-000X
Connection »	See page 021				See page 022			





4733-0XXX must be assembled on the connection while you bolt it on the S7000 and S2000 system

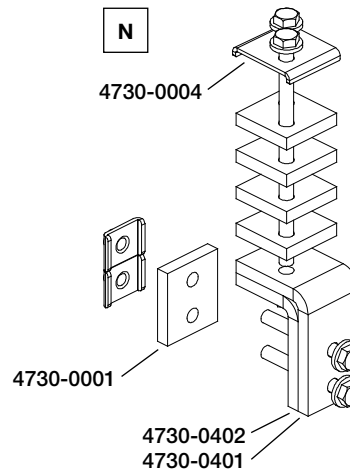
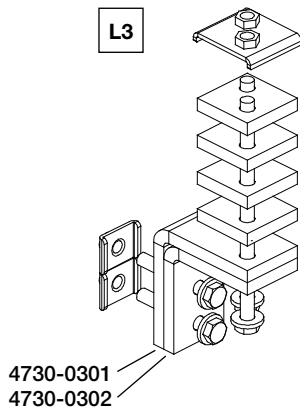
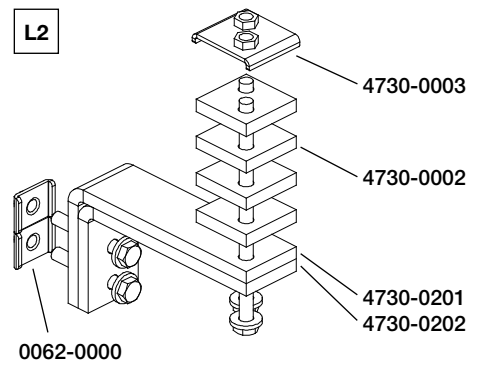
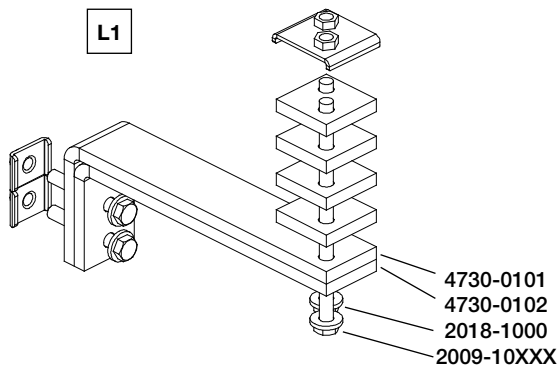


- Ⓚ S7000 / S2000, Skineforbindelse, 3P & 4P
- Ⓐ S7000 / S2000, Skenförbindningar, 3P & 4P
- Ⓒ S7000 / S2000, Busbar connection, 3P & 4P
- Ⓓ S7000 / S2000, Schienenverbindung, 3P & 4P
- Ⓕ S7000 / S2000, Jonction de jeux de barres, 3P & 4P

Date: 04 MAR 15

FIB 021

Index



S2000 ≤ 2x10x30 3P 4730-3003s	S2000 ≤ 2x10x30 4P 4730-3004s	S2000 = 2x10x50 3P 4730-5003s	S2000 = 2x10x50 4P 4730-5004s
1x 4730-0201	1x 4730-0101	1x 4730-0201	1x 4730-0101
1x 4730-0301	1x 4730-0201	1x 4730-0202	1x 4730-0102
1x 4730-0402	1x 4730-0301	1x 4730-0301	1x 4730-0201
1x 4730-0001	1x 4730-0402	1x 4730-0302	1x 4730-0202
13x 4730-0002	1x 4730-0001	1x 4730-0401	1x 4730-0301
2x 4730-0003	17x 4730-0002	1x 4730-0402	1x 4730-0302
1x 4730-0004	3x 4730-0003	1x 4730-0001	1x 4730-0401
6x 0062-0000	1x 4730-0004	12x 4730-0002	1x 4730-0402
	8x 0062-0000	2x 4730-0003	1x 4730-0001
		1x 4730-0004	16x 4730-0002
		6x 0062-0000	3x 4730-0003
			1x 4730-0004
			8x 0062-0000

CUBIC-Modulsystem A/S
Skjoldborgsgade 21
DK-9700 Broenderslev

Phone +45 98 82 24 00
Telefax +45 98 82 35 30
E-mail info@cubic.eu
Internet www.cubic.eu

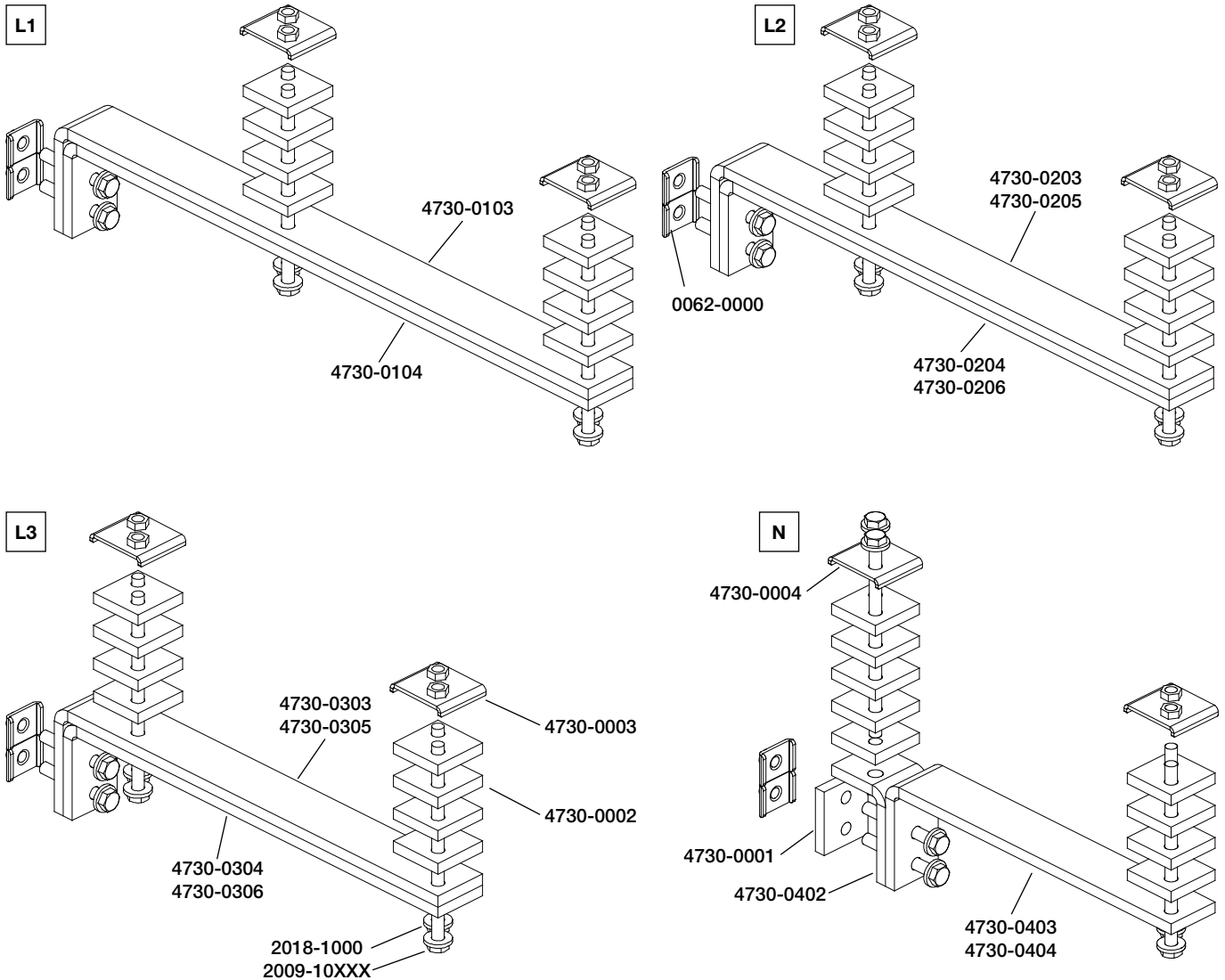
CUBIC

- (DK) S7000 / S2000, Skinneforbindelse, 6P & 8P
- (S) S7000 / S2000, Skenförbindningar, 6P & 8P
- (GB) S7000 / S2000, Busbar connection, 6P & 8P
- (D) S7000 / S2000, Schienenverbindung, 6P & 8P
- (F) S7000 / S2000, Jonction de jeux de barres, 6P & 8P

Date: 04 MAR 15

FIB 022

Index



S2000 ≤ 2x10x30 6P 4730-3006s	S2000 ≤ 2x10x30 8P 4730-3008s	S2000 = 2x10x50 6P 4730-5006s	S2000 = 2x10x50 8P 4730-5008s
1x 4730-0205	1x 4730-0103	1x 4730-0205	1x 4730-0103
1x 4730-0305	1x 4730-0203	1x 4730-0206	1x 4730-0104
1x 4730-0402	1x 4730-0303	1x 4730-0305	1x 4730-0203
1x 4730-0404	1x 4730-0402	1x 4730-0306	1x 4730-0204
1x 4730-0001	1x 4730-0403	1x 4730-0402	1x 4730-0303
25x 4730-0002	1x 4730-0001	1x 4730-0404	1x 4730-0304
5x 4730-0003	33x 4730-0002	1x 4730-0001	1x 4730-0402
1x 4730-0004	7x 4730-0003	25x 4730-0002	1x 4730-0403
6x 0062-0000	1x 4730-0004	5x 4730-0003	1x 4730-0001
	8x 0062-0000	1x 4730-0004	33x 4730-0002
		6x 0062-0000	7x 4730-0003
			1x 4730-0004
			8x 0062-0000

CUBIC-Modulsystem A/S
Skjoldborgsgade 21
DK-9700 Broenderslev

Phone +45 98 82 24 00
Telefax +45 98 82 35 30
E-mail info@cubic.eu
Internet www.cubic.eu

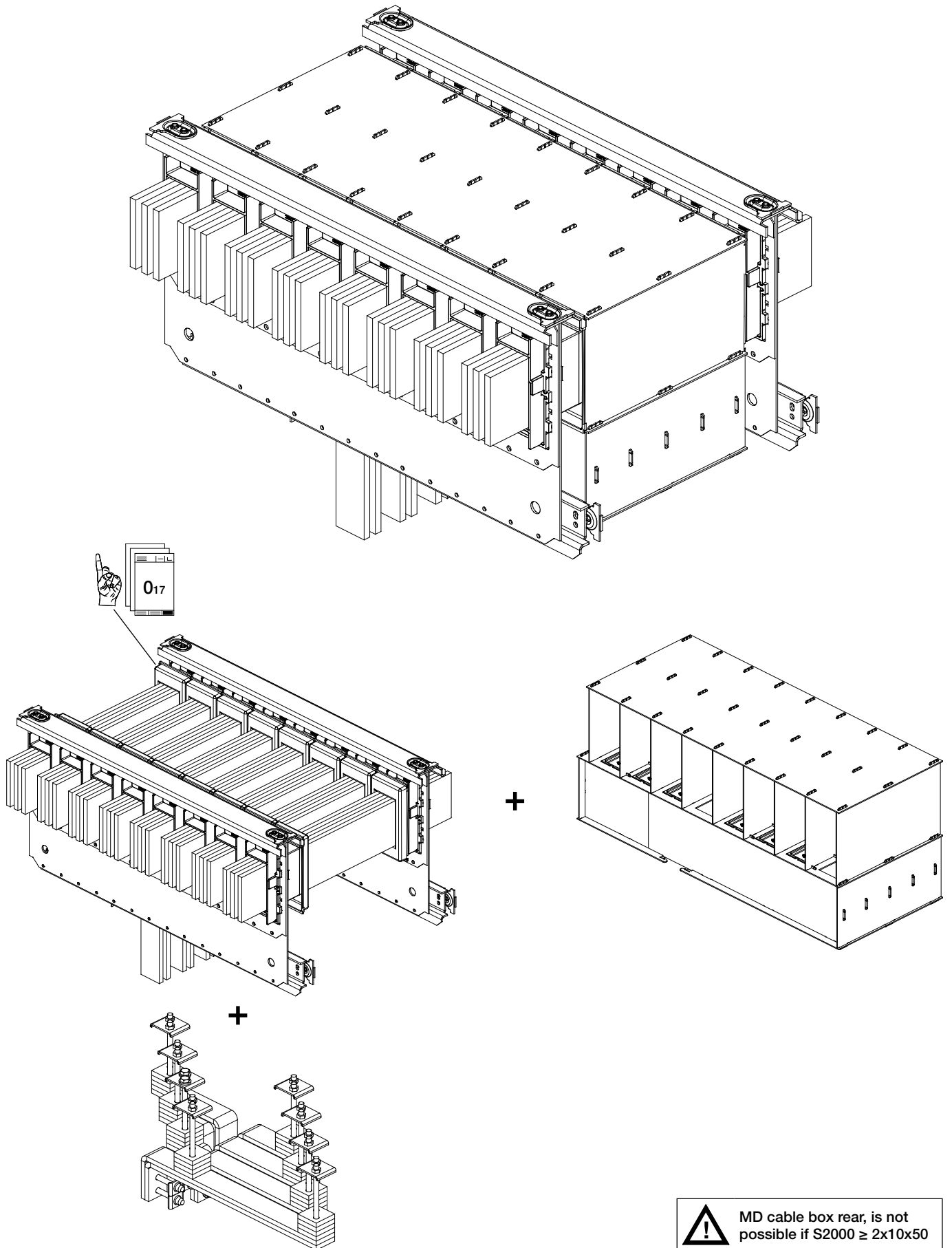
CUBIC


- Ⓚ S7000 / S2000 MD, Montering og fakta
- Ⓢ S7000 / S2000 MD, Montering och fakta
- ⓖⓅ S7000 / S2000 MD, Mounting and facts
- Ⓓ S7000 / S2000 MD, Montage und Fakten
- Ⓕ S7000 / S2000 MD, Montage et faits

Date: 04 MAR 15

FIB 023

Index

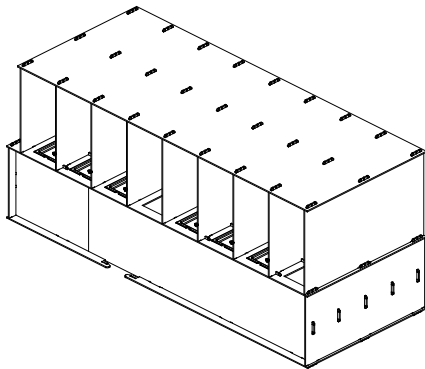


 MD cable box rear, is not possible if S2000 ≥ 2x10x50

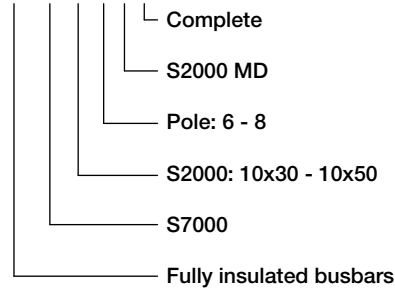
CUBIC-Modulsystem A/S
 Skjoldborgsgade 21
 DK-9700 Broenderslev

Phone +45 98 82 24 00
 Telefax +45 98 82 35 30
 E-mail info@cubic.eu
 Internet www.cubic.eu

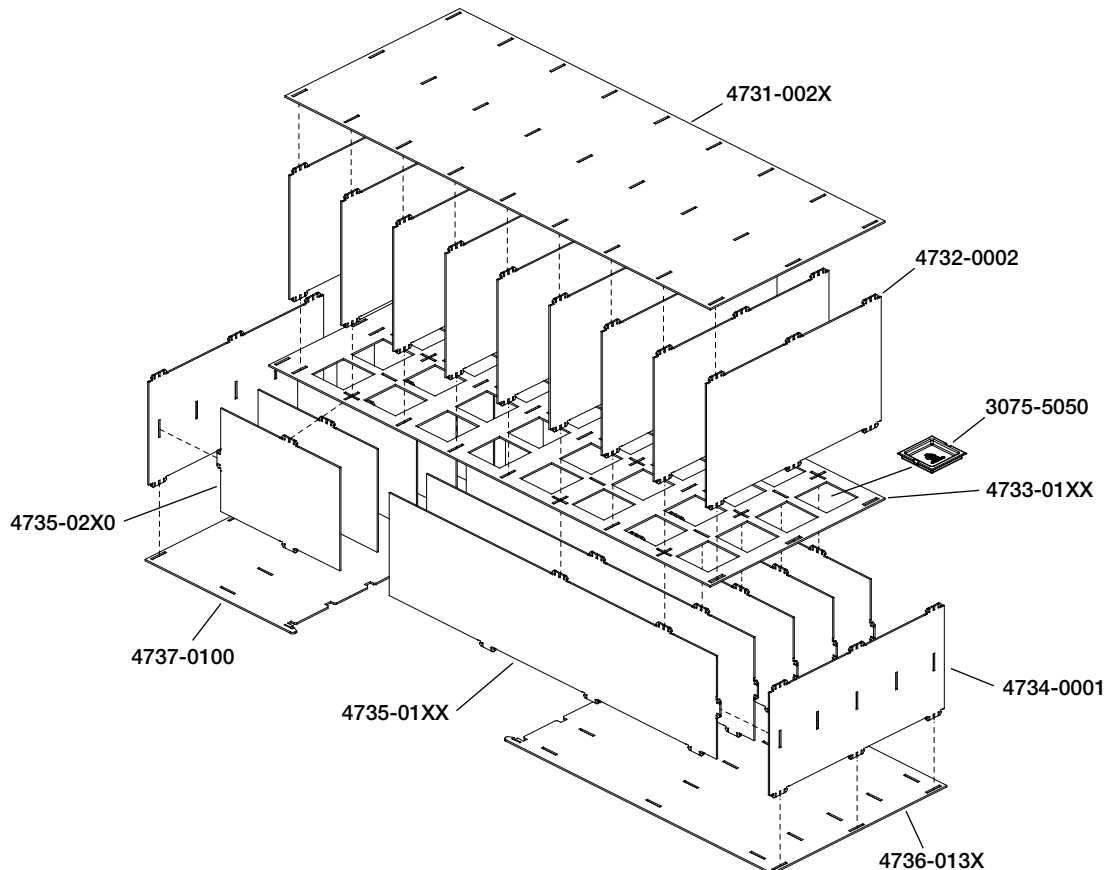
CUBIC

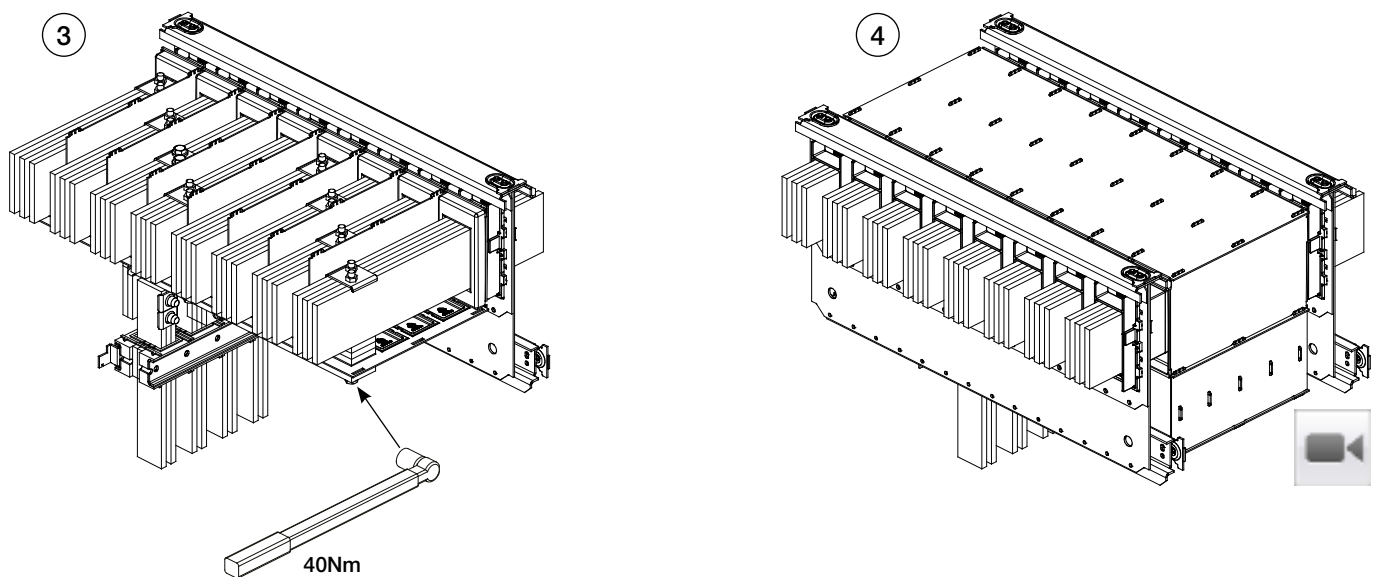
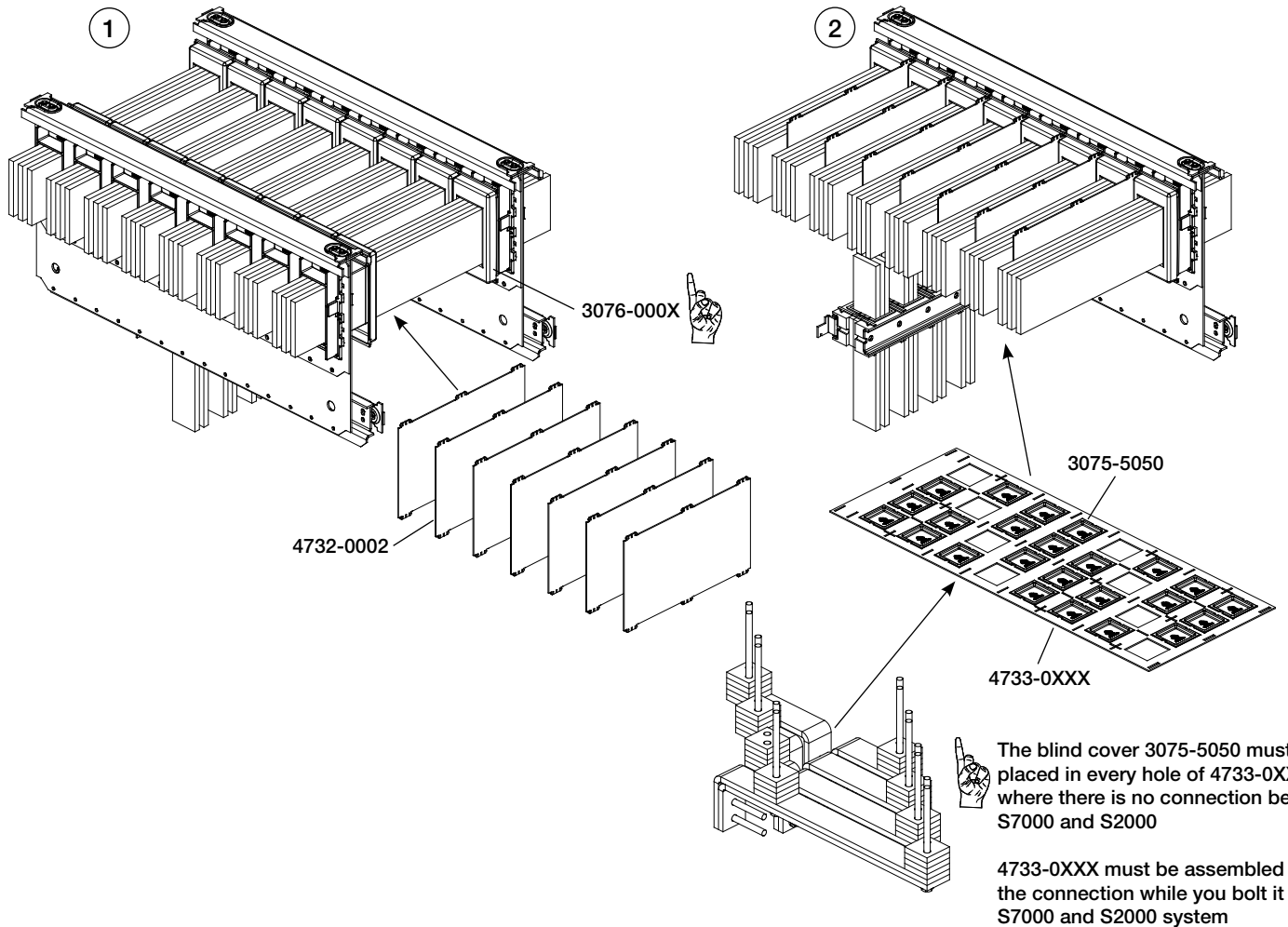


FIB7508Os



S7000 »	S2000 ≤ 2x10x30		S2000 = 2x10x50	
	6P	8P	6P	8P
Item id.	FIB7306Os	FIB7308Os	FIB7506Os	FIB7508Os
4731-00XX	1x 4731-0026	1x 4731-0028	1x 4731-0026	1x 4731-0028
4732-0002	7x 4732-0002	9x 4732-0002	7x 4732-0002	9x 4732-0002
4733-01XX	1x 4733-0136	1x 4733-0138	1x 4733-0156	1x 4733-0158
4734-0001	2x 4734-0001	2x 4734-0001	2x 4734-0001	2x 4734-0001
4735-0XXX	5x 4735-0136 5x 4735-0230	5x 4735-0138 5x 4735-0230	5x 4735-0156 5x 4735-0250	5x 4735-0158 5x 4735-0250
4736-01XX	1x 4736-0136	1x 4736-0138	1x 4736-0136	1x 4736-0138
4737-0100	1x 4737-0100	1x 4737-0100	1x 4737-0100	1x 4737-0100
3075-5050	8x 3075-5050	12x 3075-5050	8x 3075-5050	12x 3075-5050
3076-000X	12x 3076-000X	16x 3076-000X	12x 3076-000X	16x 3076-000X
Connection »	See page 026			



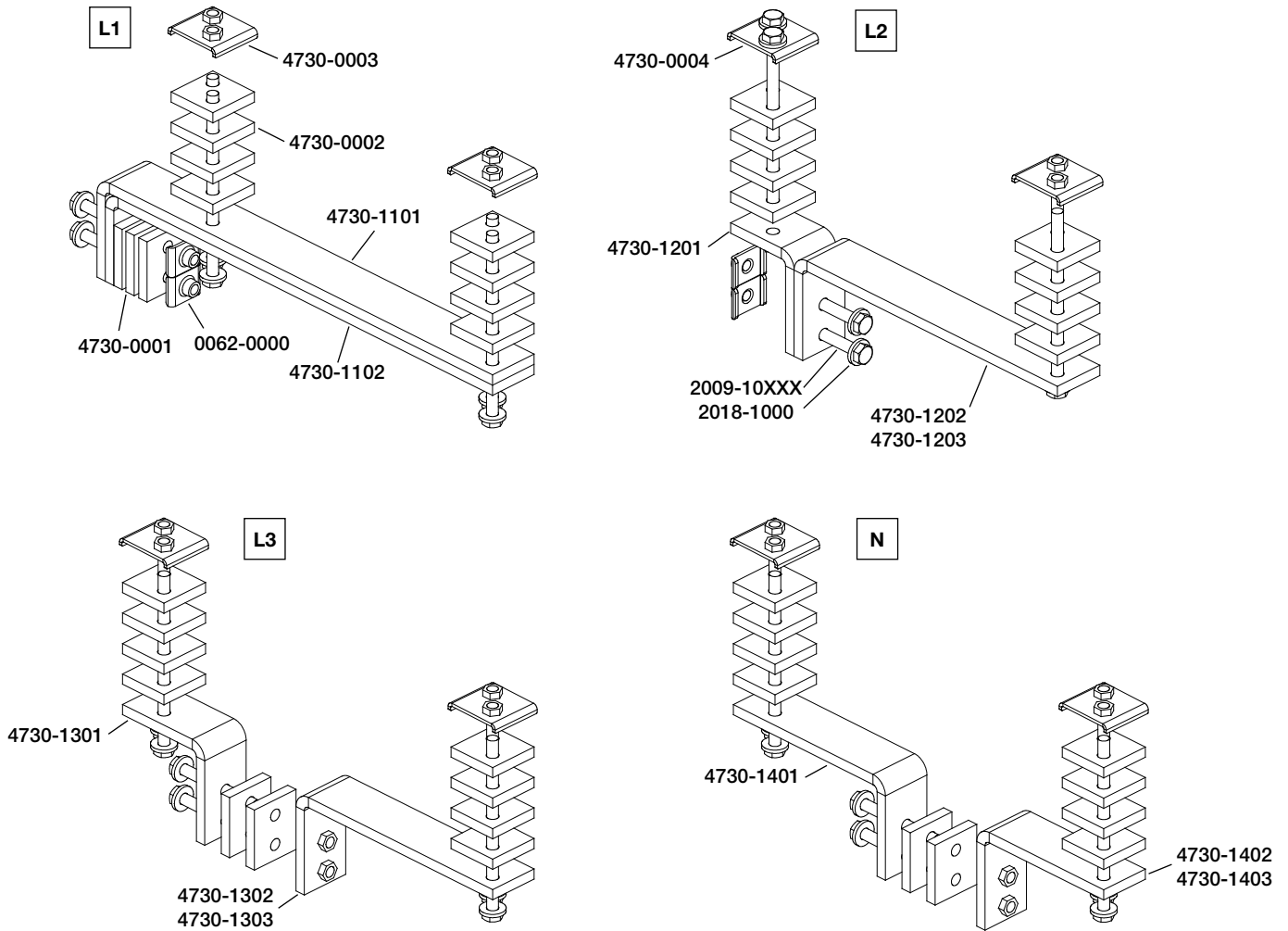


- (DK) S7000 / S2000 MD, Skinneforbindelse, 6P & 8P
- (S) S7000 / S2000 MD, Skenförbindningar, 6P & 8P
- (GB) S7000 / S2000 MD, Busbar connection, 6P & 8P
- (D) S7000 / S2000 MD, Schienenverbindung, 6P & 8P
- (F) S7000 / S2000 MD, Jonction de jeux de barres, 6P & 8P

Date: 04 MAR 15

FIB 026

Index



S2000 ≤ 2x10x30 6P 4730-3016s	S2000 ≤ 2x10x30 8P 4730-3018s	S2000 = 2x10x50 6P 4730-5016s	S2000 = 2x10x50 8P 4730-5018s
1x 4730-1201	1x 4730-1101	1x 4730-1201	1x 4730-1101
1x 4730-1203	1x 4730-1201	1x 4730-1203	1x 4730-1102
1x 4730-1301	1x 4730-1202	1x 4730-1301	1x 4730-1201
1x 4730-1303	1x 4730-1301	1x 4730-1303	1x 4730-1202
1x 4730-1401	1x 4730-1302	1x 4730-1401	1x 4730-1301
1x 4730-1403	1x 4730-1401	1x 4730-1403	1x 4730-1302
4x 4730-0001	1x 4730-1402	24x 4730-0002	1x 4730-1401
24x 4730-0002	7x 4730-0001	5x 4730-0003	1x 4730-1402
5x 4730-0003	32x 4730-0002	1x 4730-0004	32x 4730-0002
1x 4730-0004	7x 4730-0003	2x 0062-0000	7x 4730-0003
2x 0062-0000	1x 4730-0004		1x 4730-0004
	4x 0062-0000		4x 0062-0000

CUBIC-Modulsystem A/S
Skjoldborgsgade 21
DK-9700 Broenderslev

Phone +45 98 82 24 00
Telefax +45 98 82 35 30
E-mail info@cubic.eu
Internet www.cubic.eu

CUBIC

- Ⓚ S7000 / S2000, Montering og fakta
- Ⓢ S7000 / S2000, Montering och fakta
- ⒼⓅ S7000 / S2000, Mounting and facts
- Ⓓ S7000 / S2000, Montage und Fakten
- Ⓕ S7000 / S2000, Montage et faits

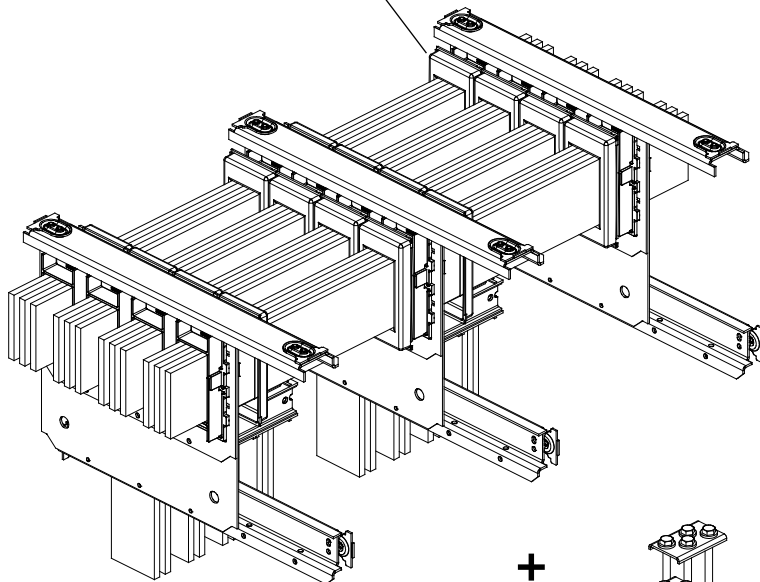
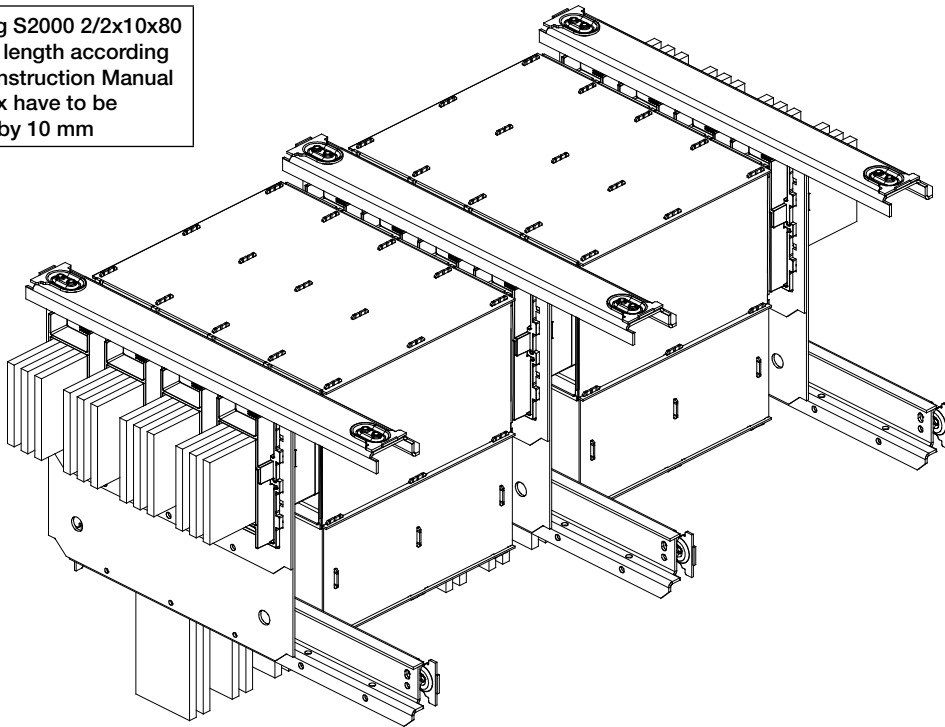
Date: 04 MAR 15

FIB 027

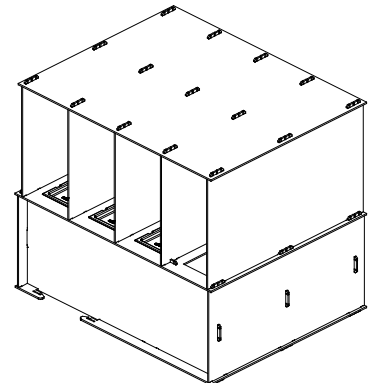
Index



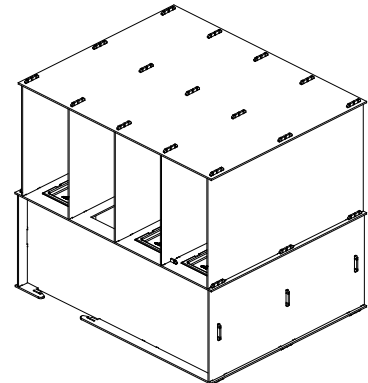
When using S2000 2/2x10x80 the busbar length according to CUBIC Instruction Manual chapter 8xx have to be shortened by 10 mm



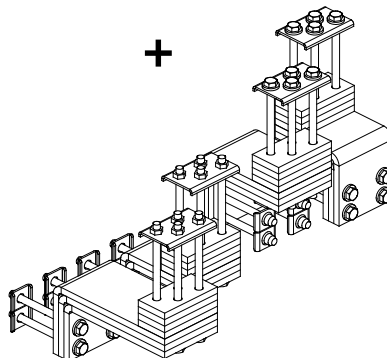
+



+



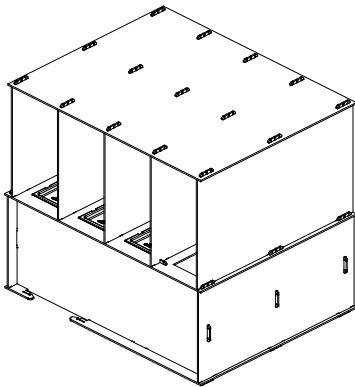
+



CUBIC-Modulsystem A/S
 Skjoldborgsgade 21
 DK-9700 Broenderslev

Phone +45 98 82 24 00
 Telefax +45 98 82 35 30
 E-mail info@cubic.eu
 Internet www.cubic.eu

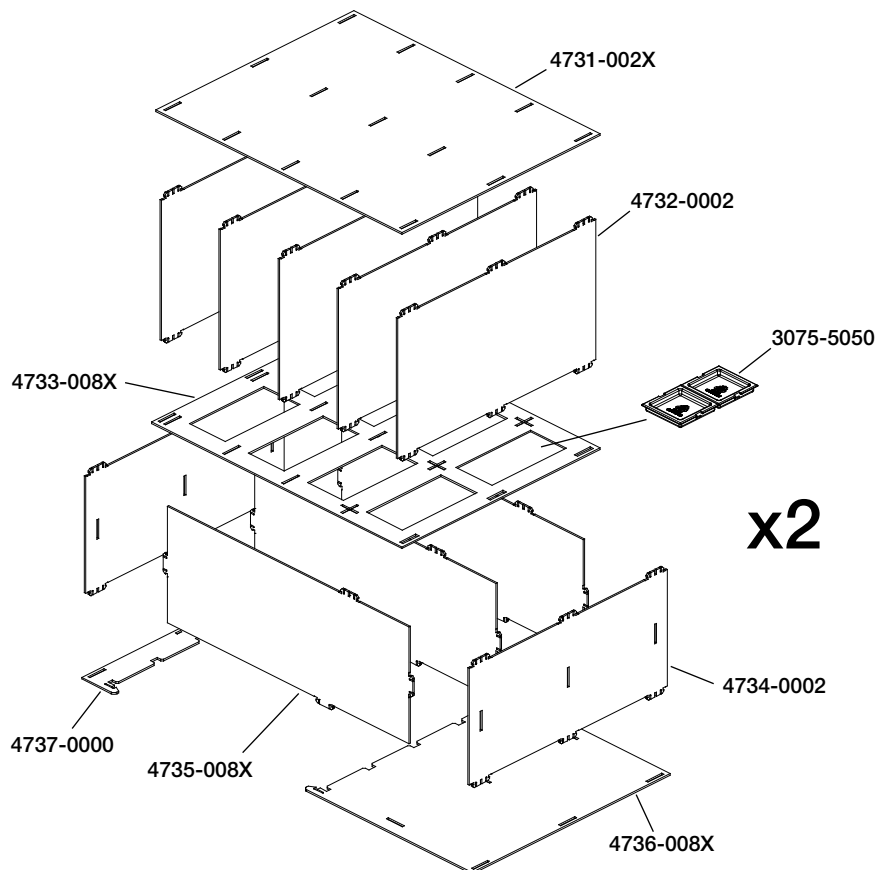
CUBIC

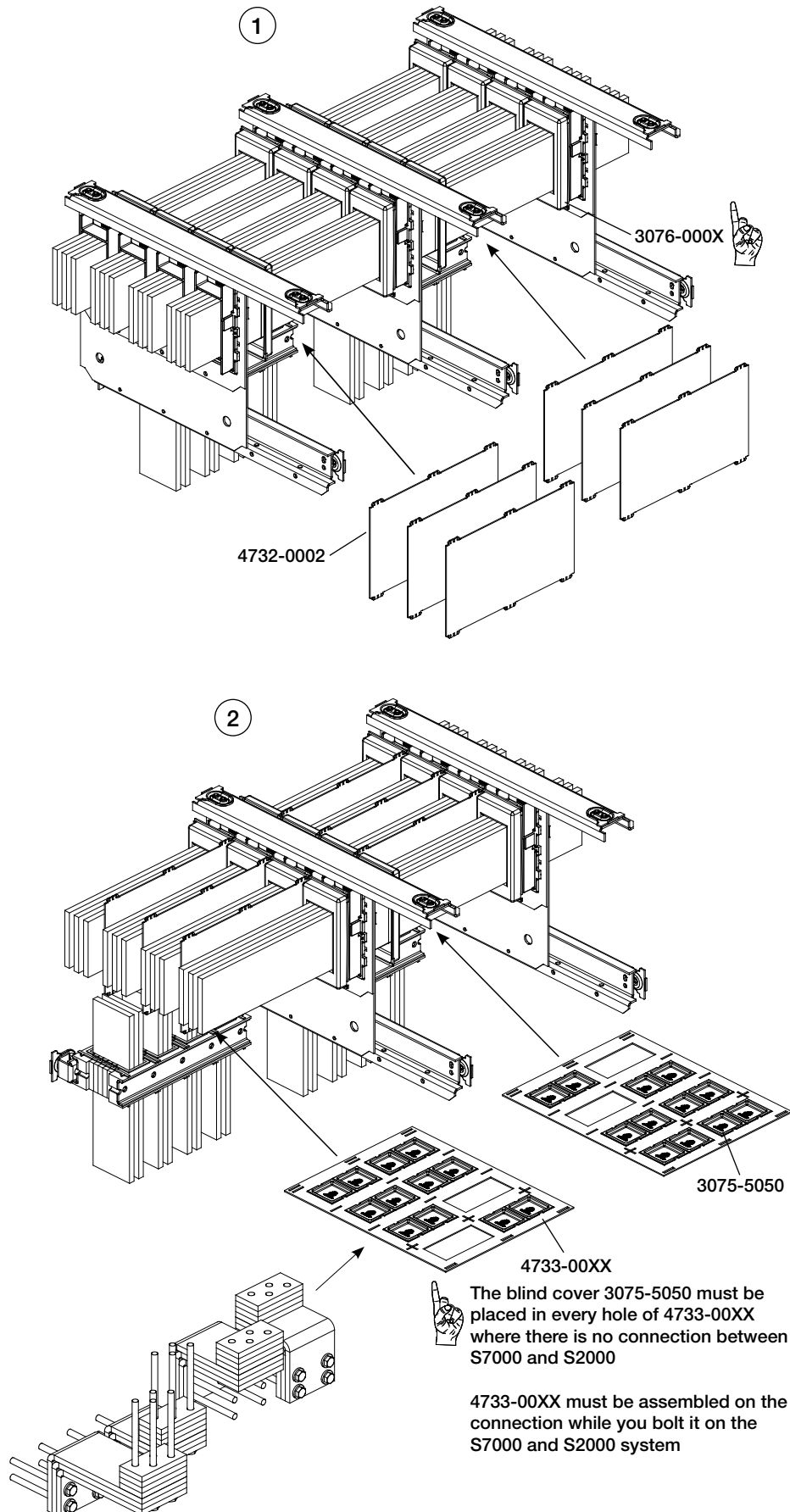


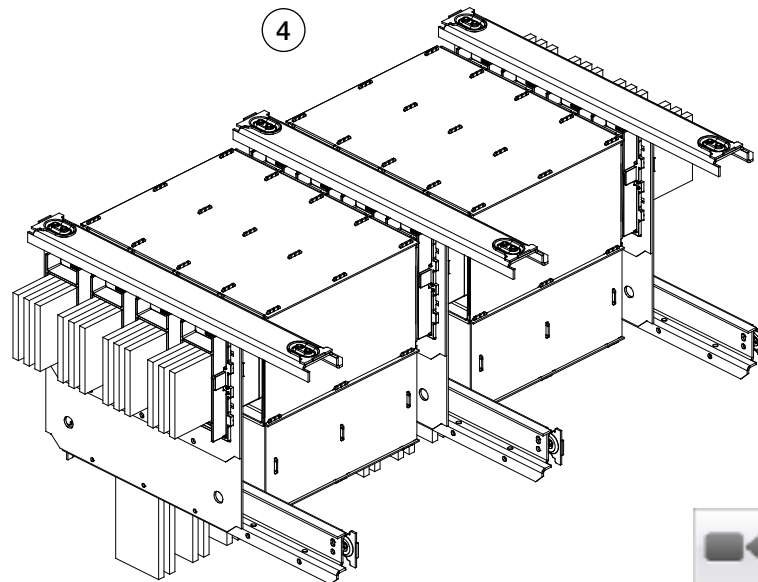
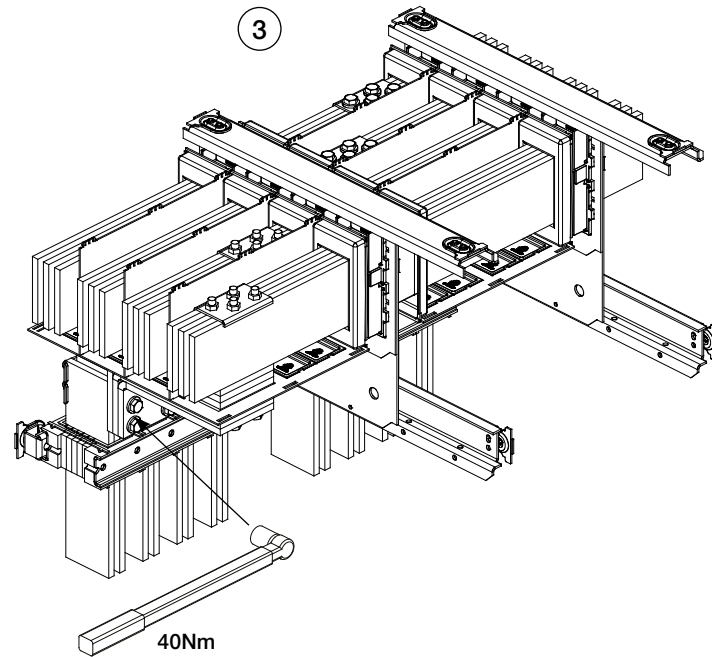
FIB7804s

- Complete
- Pole: 3 - 4 - 6 - 8
- S2000: 10x80
- S7000
- Fully insulated busbars

S7000 »	S2000 = 2x10x80			
	3P	4P	6P	8P
Item id.	FIB7803s	FIB7804s	FIB7806s	FIB7808s
4731-002X	1x 4731-0023	1x 4731-0024	1x 4731-0026	1x 4731-0028
4732-0002	4x 4732-0002	5x 4732-0002	7x 4732-0002	9x 4732-0002
4733-008X	1x 4733-0083	1x 4733-0084	1x 4733-0086	1x 4733-0088
4734-0002	2x 4734-0002	2x 4734-0002	2x 4734-0002	2x 4734-0002
4735-008X	3x 4735-0083	3x 4735-0084	3x 4735-0086	3x 4735-0088
4736-008X	1x 4736-0083	1x 4736-0084	1x 4736-0086	1x 4736-0088
4737-0000	1x 4737-0000	1x 4737-0000	1x 4737-0000	1x 4737-0000
3075-5050	8x 3075-5050	12x 3075-5050	16x 3075-5050	24x 3075-5050
3076-000X	12x 3076-000X	16x 3076-000X	24x 3076-000X	32x 3076-000X
Connection »	See page 031		See page 032	





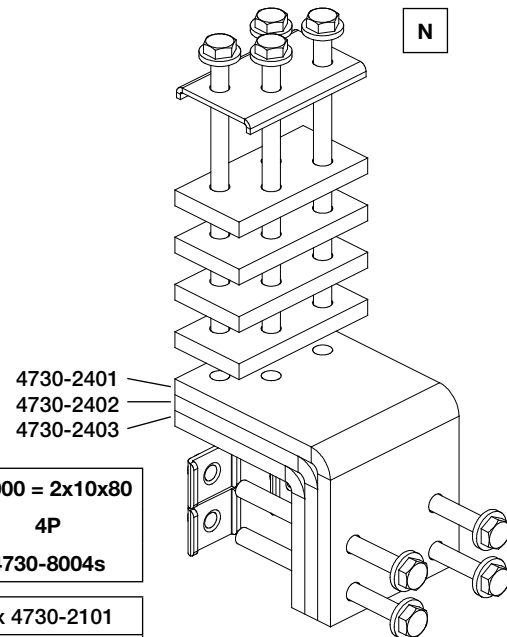
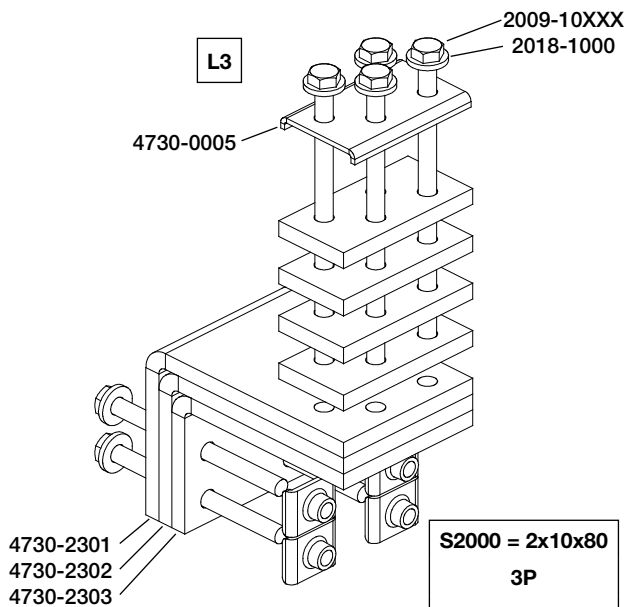
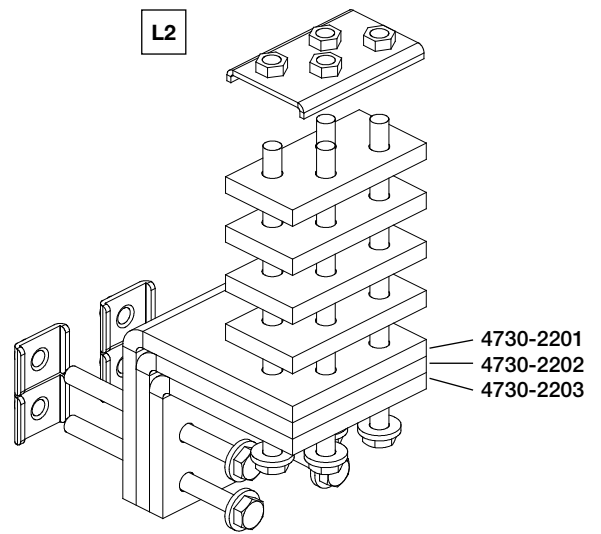
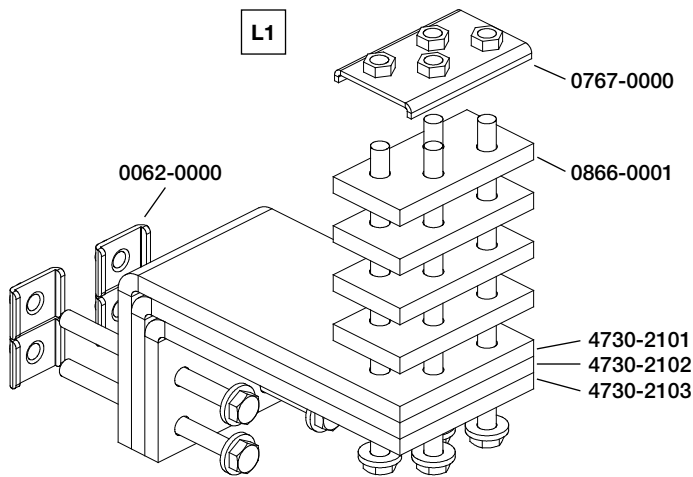


- (DK) S7000 / S2000, Skineforbindelse, 3P & 4P
- (S) S7000 / S2000, Skenförbindningar, 3P & 4P
- (GB) S7000 / S2000, Busbar connection, 3P & 4P
- (D) S7000 / S2000, Schienenverbindung, 3P & 4P
- (F) S7000 / S2000, Jonction de jeux de barres, 3P & 4P

Date: 04 MAR 15

FIB 031

Index



S2000 = 2x10x80 3P 4730-8003s	S2000 = 2x10x80 4P 4730-8004s
1x 4730-2201	1x 4730-2101
1x 4730-2202	1x 4730-2102
1x 4730-2203	1x 4730-2103
1x 4730-2301	1x 4730-2201
1x 4730-2302	1x 4730-2202
1x 4730-2303	1x 4730-2203
1x 4730-2401	1x 4730-2301
1x 4730-2402	1x 4730-2302
1x 4730-2403	1x 4730-2303
12x 0866-0001	1x 4730-2401
1x 0767-0000	1x 4730-2402
2x 4730-0005	1x 4730-2403
12x 0062-0000	16x 0866-0001
	2x 0767-0000
	2x 4730-0005
	16x 0062-0000

CUBIC-Modulsystem A/S
Skjoldborgsgade 21
DK-9700 Broenderslev

Phone +45 98 82 24 00
Telefax +45 98 82 35 30
E-mail info@cubic.eu
Internet www.cubic.eu

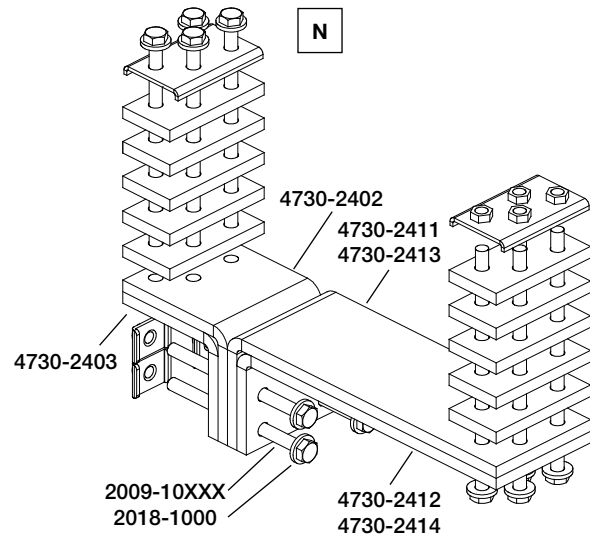
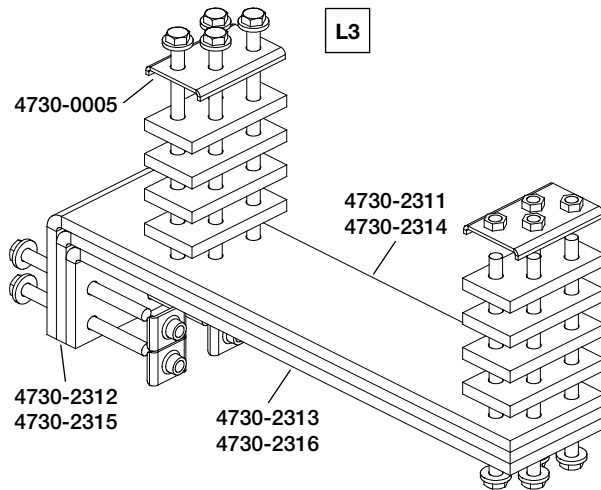
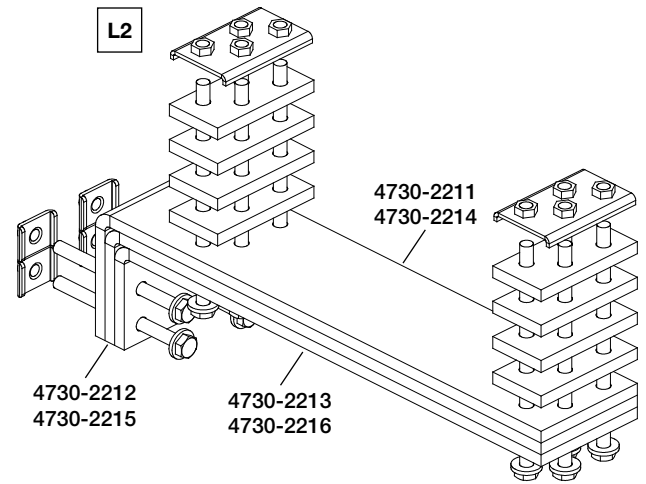
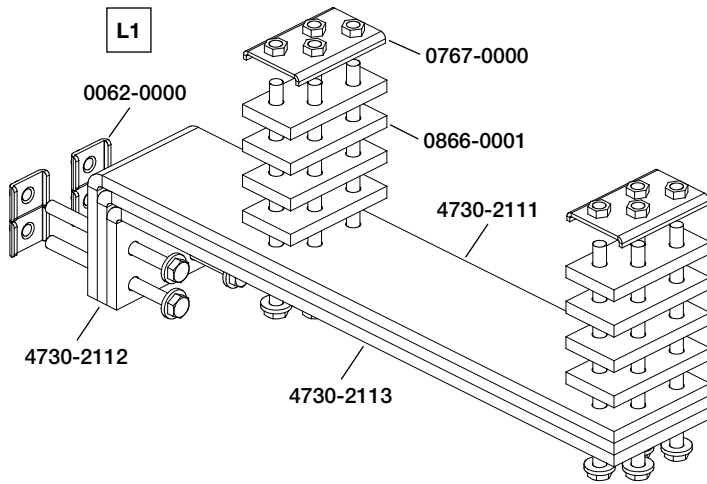
CUBIC

- (DK) S7000 / S2000, Skinneforbindelse, 6P & 8P
- (S) S7000 / S2000, Skenförbindningar, 6P & 8P
- (GB) S7000 / S2000, Busbar connection, 6P & 8P
- (D) S7000 / S2000, Schienenverbindung, 6P & 8P
- (F) S7000 / S2000, Jonction de jeux de barres, 6P & 8P

Date: 04 MAR 15

FIB 032

Index



S2000 = 2x10x80 6P 4730-8006s		S2000 = 2x10x80 8P 4730-8008s	
1x 4730-2214	26x 0866-0001	1x 4730-2111	34x 0866-0001
1x 4730-2215	4x 0767-0000	1x 4730-2112	5x 0767-0000
1x 4730-2216	2x 4730-0005	1x 4730-2113	2x 4730-0005
1x 4730-2314	12x 0062-0000	1x 4730-2211	16x 0062-0000
1x 4730-2315		1x 4730-2212	
1x 4730-2316		1x 4730-2213	
1x 4730-2402		1x 4730-2311	
1x 4730-2403		1x 4730-2312	
1x 4730-2413		1x 4730-2313	
1x 4730-2414		1x 4730-2402	
		1x 4730-2403	
		1x 4730-2411	
		1x 4730-2412	

CUBIC-Modulsystem A/S
Skjoldborgsgade 21
DK-9700 Broenderslev

Phone +45 98 82 24 00
Telefax +45 98 82 35 30
E-mail info@cubic.eu
Internet www.cubic.eu

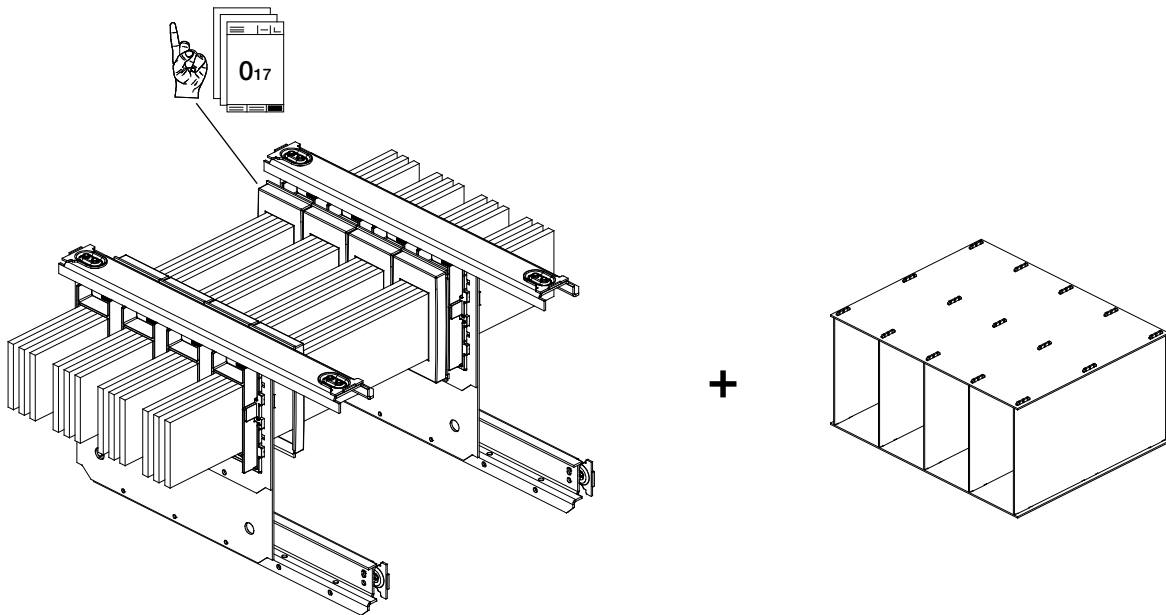
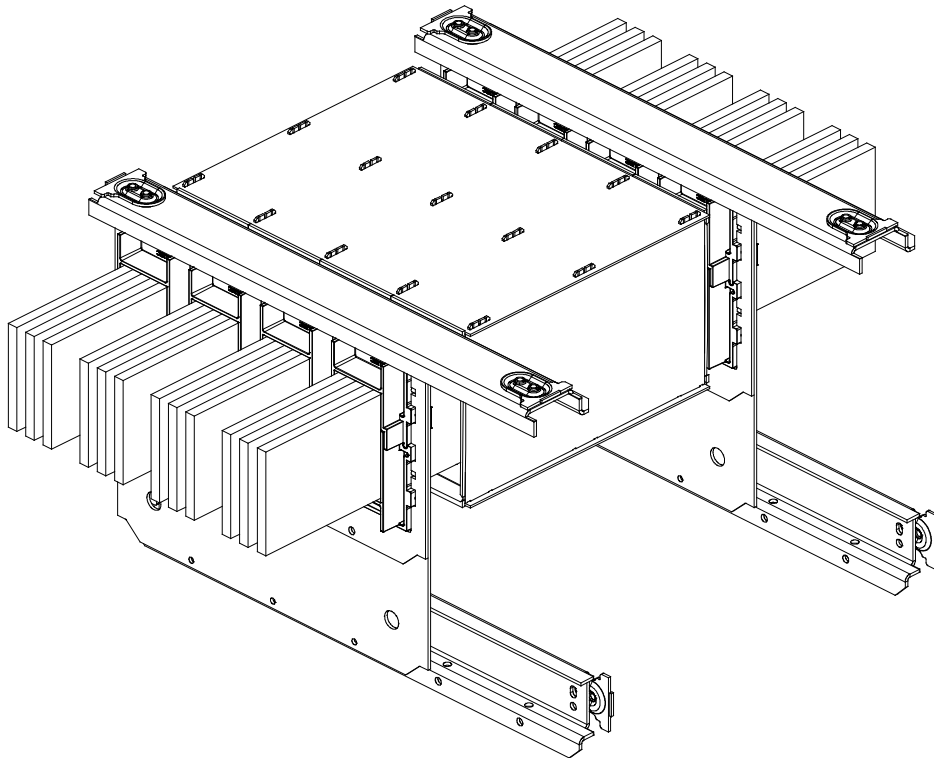
CUBIC

- Ⓚ S7000 Blank, Montering og fakta
- Ⓢ S7000 Blank, Montering och fakta
- ⒼⒷ S7000 Blank, Mounting and facts
- Ⓓ S7000 Leer, Montage und Fakten
- Ⓕ S7000 Vide, Montage et faits

Date: 04 MAR 15

FIB **033**

Index



CUBIC-Modulsystem A/S
Skjoldborgsgade 21
DK-9700 Broenderslev

Phone +45 98 82 24 00
Telefax +45 98 82 35 30
E-mail info@cubic.eu
Internet www.cubic.eu

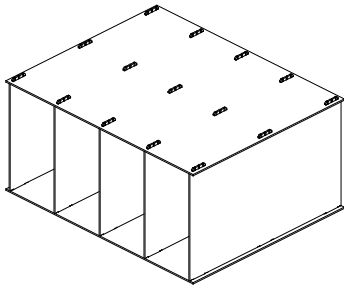
CUBIC

- Ⓚ S7000 Blank, Bestillingsinformation
- Ⓢ S7000 Blank, Beställningsinformation
- Ⓖ⒃ S7000 Blank, Order information
- Ⓓ S7000 Leer, Bestellinformationen
- Ⓕ S7000 Vide, Informations de commande

Date: 04 MAR 15

FIB 034

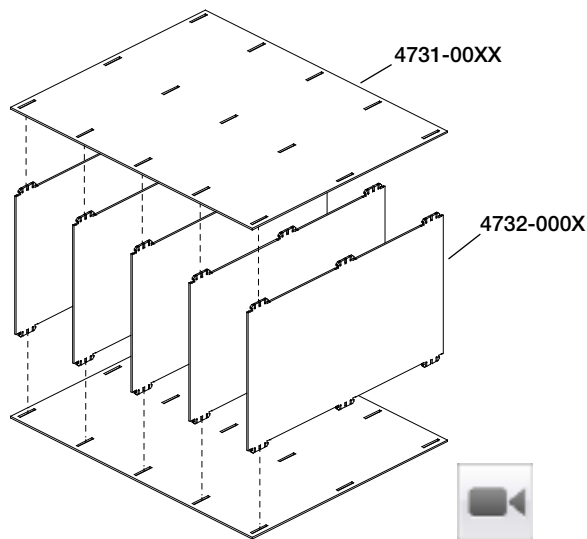
Index



FIB724s

- Complete
- Pole: 3 - 4 - 6 - 8
- Width: 1M - 2M
- S7000
- Fully insulated busbars

S7000 »	1M wide				2M wide			
	3P	4P	6P	8P	3P	4P	6P	8P
Item id.	FIB713s	FIB714s	FIB716s	FIB718s	FIB723s	FIB724s	FIB726s	FIB728s
4731-00XX	2x 4731-0013	2x 4731-0014	2x 4731-0016	2x 4731-0018	2x 4731-0023	2x 4731-0024	2x 4731-0026	2x 4731-0028
4732-000X	4x 4732-0001	5x 4732-0001	7x 4732-0001	9x 4732-0001	4x 4732-0002	5x 4732-0002	7x 4732-0002	9x 4732-0002
3076-000X	6x 3076-000X	8x 3076-000X	12x 3076-000X	16x 3076-000X	6x 3076-000X	8x 3076-000X	12x 3076-000X	16x 3076-000X

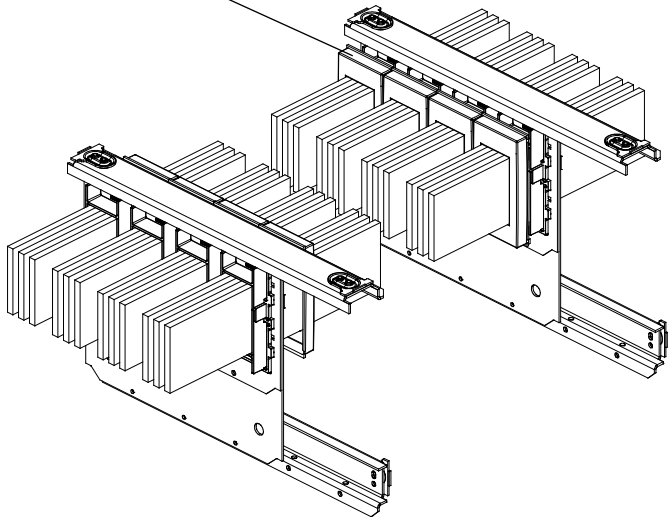
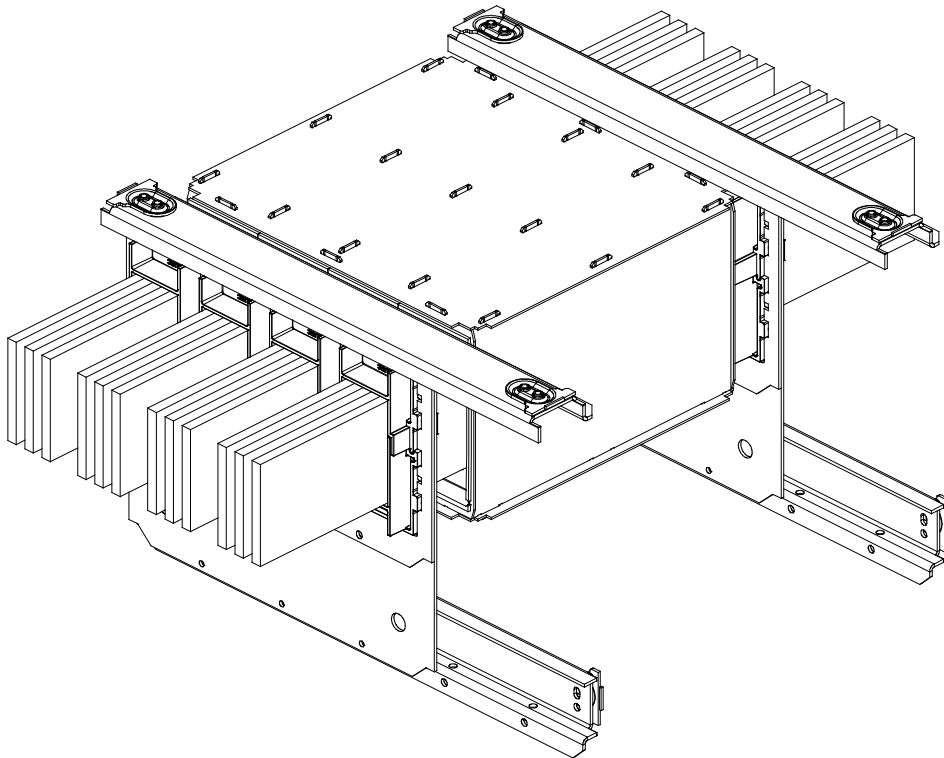


- Ⓚ S7000 Transportdeling, Montering og fakta
- Ⓢ S7000 Transportskarv, Montering och fakta
- ⒼⒷ S7000 Transport division, Mounting and facts
- Ⓓ S7000 Transportteilung, Montage und Fakten
- Ⓕ S7000 Éclissage, Montage et faits

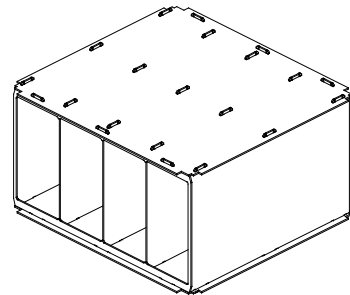
Date: 04 MAR 15

FIB **035**

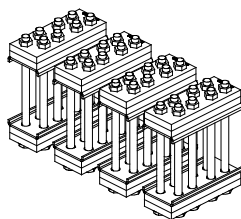
Index



+



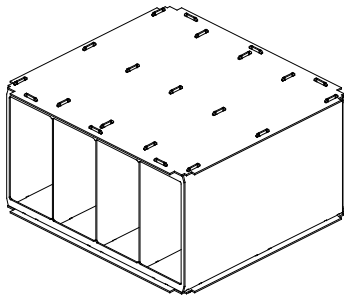
+



CUBIC-Modulsystem A/S
 Skjoldborgsgade 21
 DK-9700 Broenderslev

Phone +45 98 82 24 00
 Telefax +45 98 82 35 30
 E-mail info@cubic.eu
 Internet www.cubic.eu

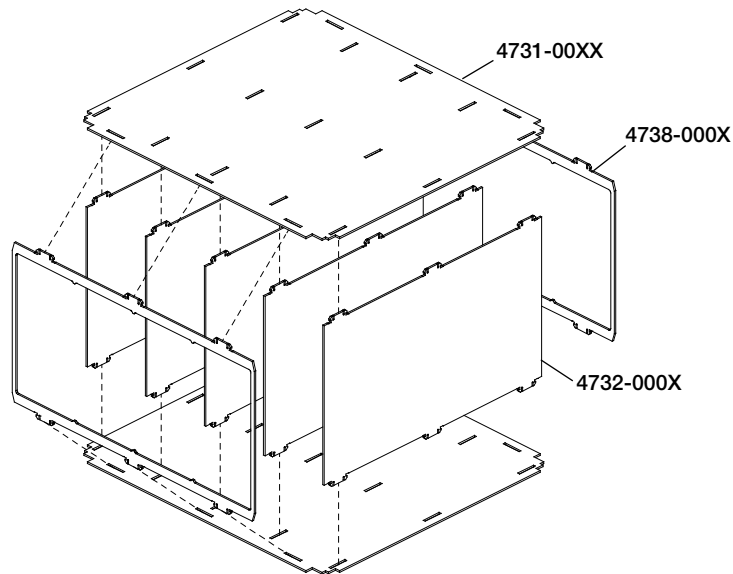
CUBIC

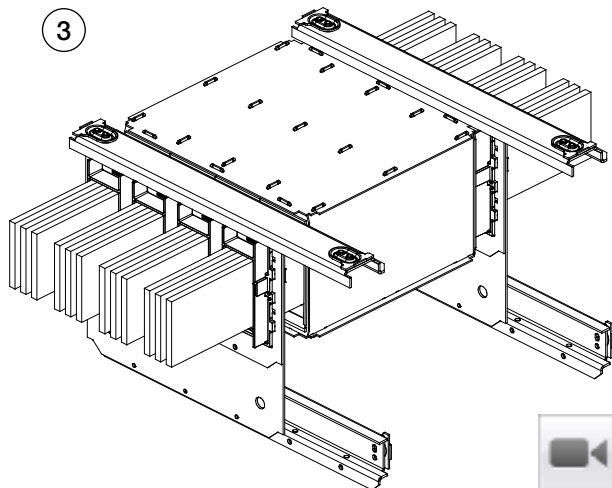
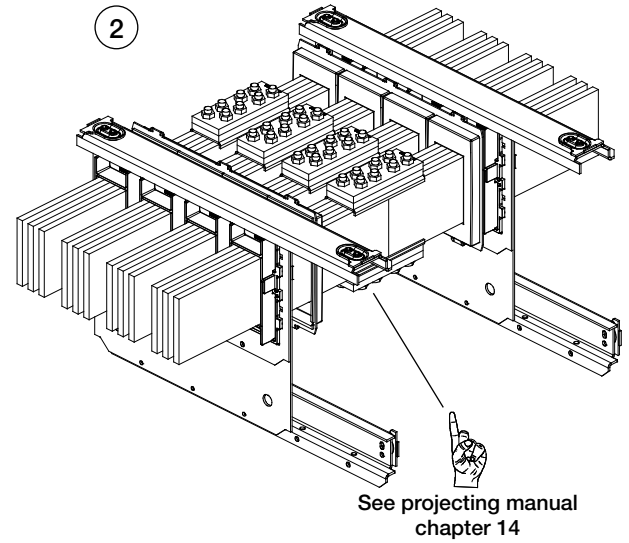
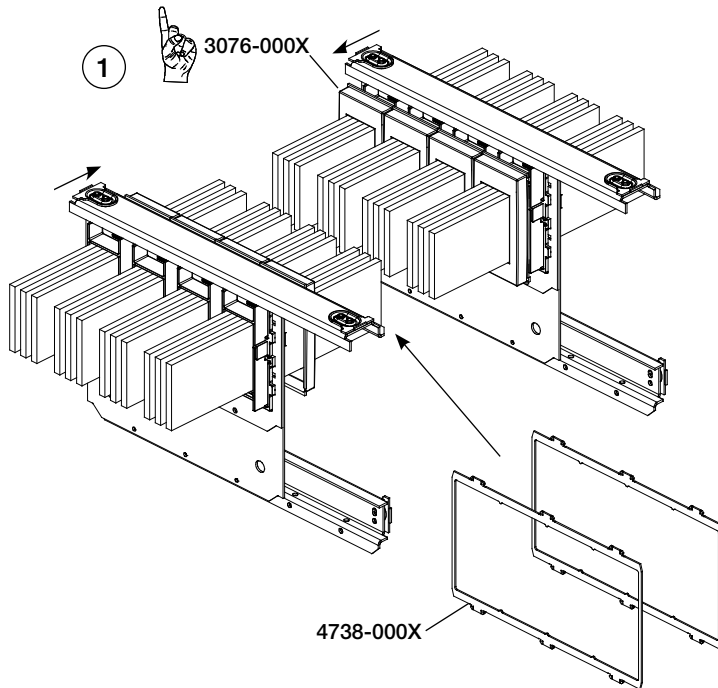


FIB724Ts

- Complete
- Transport division
- Pole: 3 - 4 - 6 - 8
- Width: 1M - 2M
- S7000
- Fully insulated busbars

S7000 »	1M wide				2M wide			
	3P	4P	6P	8P	3P	4P	6P	8P
Item id.	FIB713Ts	FIB714Ts	FIB716Ts	FIB718Ts	FIB723Ts	FIB724Ts	FIB726Ts	FIB728Ts
4731-00XX	2x 4731-0033	2x 4731-0034	2x 4731-0036	2x 4731-0038	2x 4731-0043	2x 4731-0044	2x 4731-0046	2x 4731-0048
4732-000X	4x 4731-0003	5x 4732-0003	7x 4732-0003	9x 4732-0003	4x 4732-0004	5x 4732-0004	7x 4732-0004	9x 4732-0004
4738-000X	2x 4738-0003	2x 4738-0004	2x 4738-0006	2x 4738-0008	2x 4738-0003	2x 4738-0004	2x 4738-0006	2x 4738-0008
3076-000X	3x 3076-0001 3x 3076-0003	4x 3076-0001 4x 3076-0003	6x 3076-0001 6x 3076-0003	8x 3076-0001 8x 3076-0003	3x 3076-0002 3x 3076-0003	4x 3076-0002 4x 3076-0003	6x 3076-0002 6x 3076-0003	8x 3076-0002 8x 3076-0003



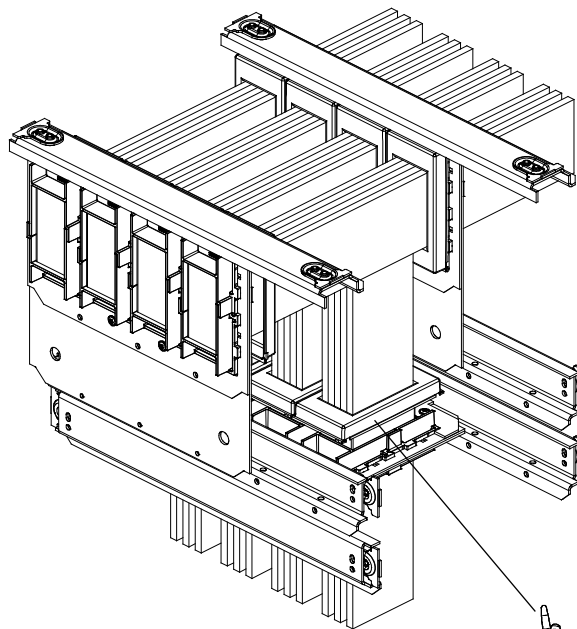
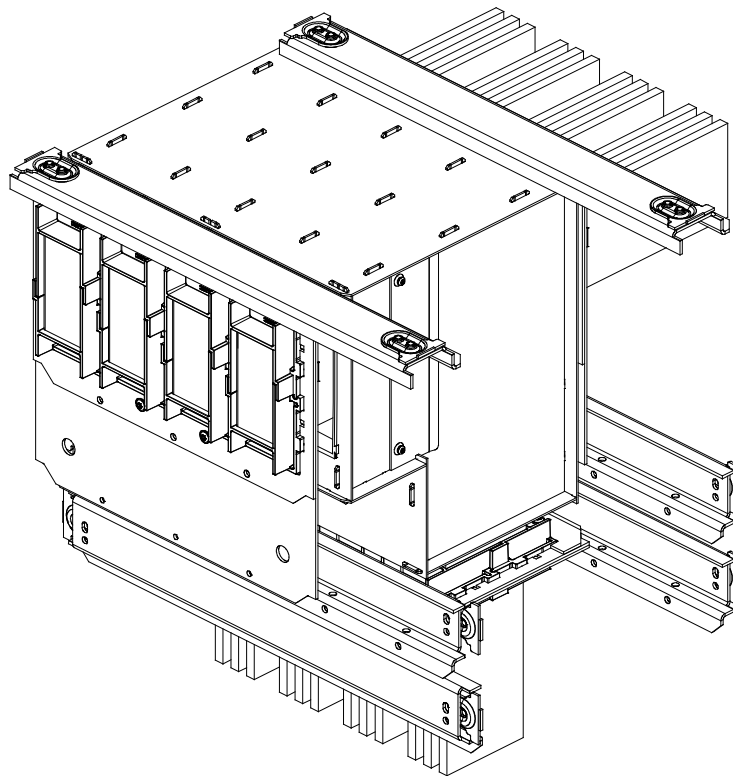


- Ⓚ S7000 / S7000, Montering og fakta
- Ⓢ S7000 / S7000, Montering och fakta
- ⓐ S7000 / S7000, Mounting and facts
- Ⓓ S7000 / S7000, Montage und Fakten
- Ⓕ S7000 / S7000, Montage et faits

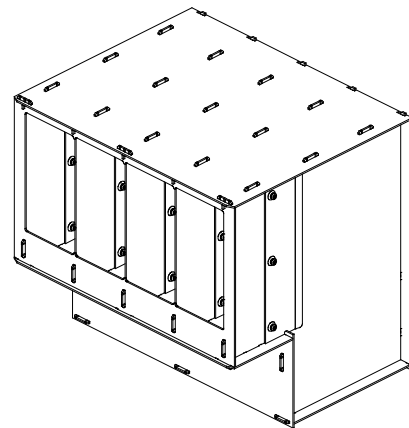
Date: 04 MAR 15

FIB 038

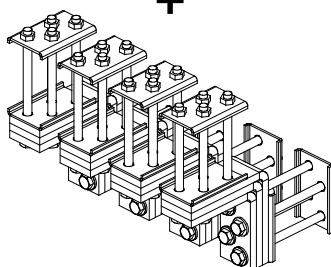
Index



+



+

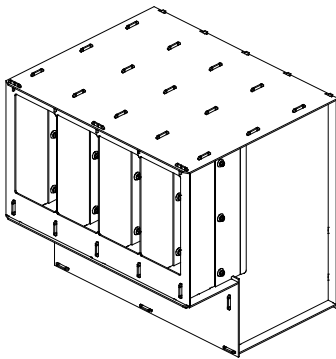


When making a S7000 / S7000 connection, you cannot follow the adaptor guide on page 017
 You need to use one of each type adaptor per. phase see page 041 for more info

CUBIC-Modulsystem A/S
 Skjoldborgsgade 21
 DK-9700 Broenderslev

Phone +45 98 82 24 00
 Telefax +45 98 82 35 30
 E-mail info@cubic.eu
 Internet www.cubic.eu

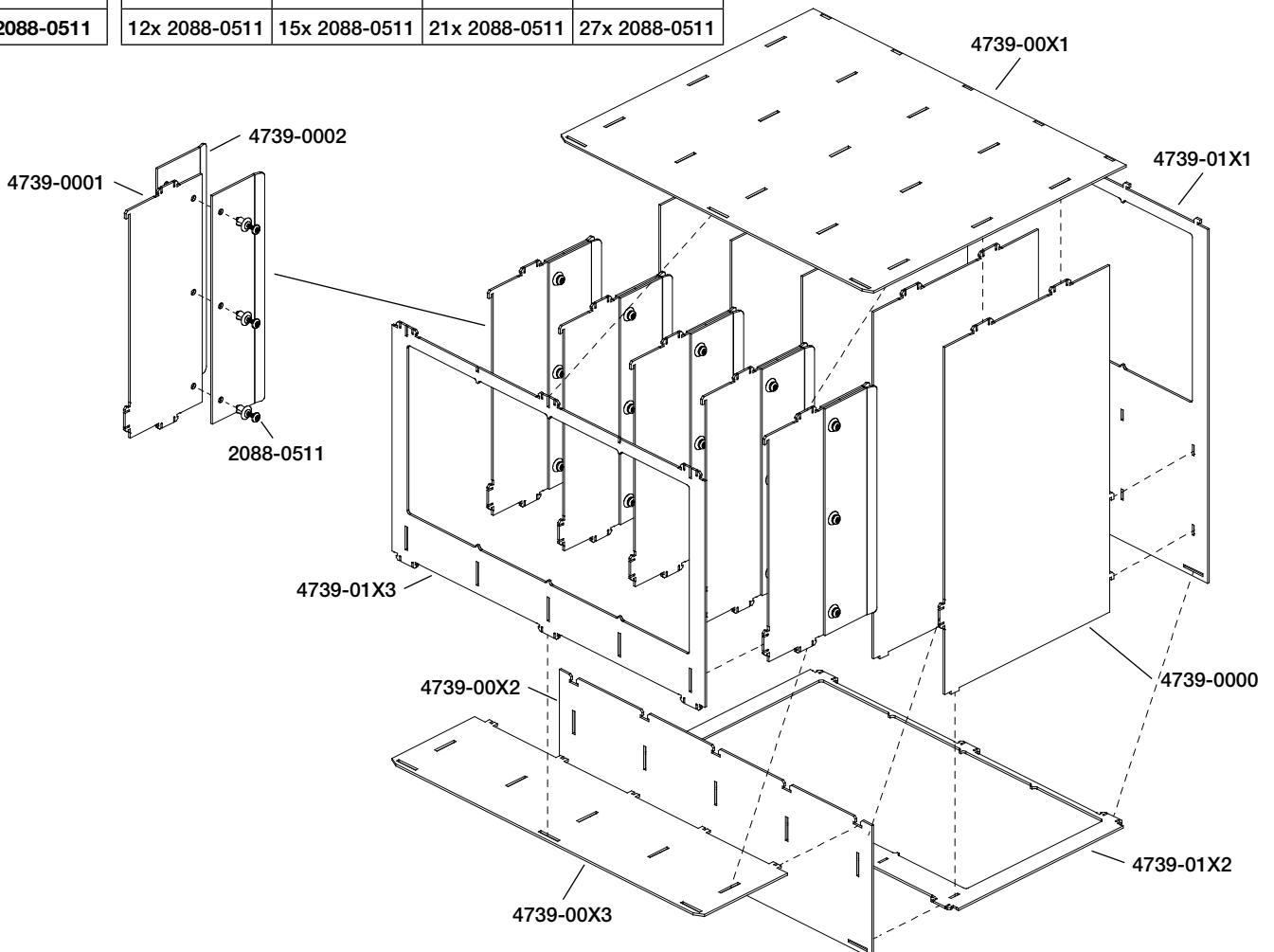
CUBIC



FIB774s

- └ Complete
- └ Pole: 3 - 4 - 6 - 8
- └ S7000 / S7000
- └ Fully insulated busbars

S7000 »	3P	4P	6P	8P
Item id.	FIB773s	FIB774s	FIB776s	FIB778s
4739-0000	4x 4739-0000	5x 4739-0000	7x 4739-0000	9x 4739-0000
4739-0001	4x 4739-0001	5x 4739-0001	7x 4739-0001	9x 4739-0001
4739-0002	4x 4739-0002	5x 4739-0002	7x 4739-0002	9x 4739-0002
4739-00X1	1x 4739-0031	1x 4739-0041	1x 4739-0061	1x 4739-0081
4739-00X2	1x 4739-0032	1x 4739-0042	1x 4739-0062	1x 4739-0082
4739-00X3	1x 4739-0033	1x 4739-0043	1x 4739-0063	1x 4739-0083
4739-01X1	1x 4739-0131	1x 4739-0141	1x 4739-0161	1x 4739-0181
4739-01X2	1x 4739-0132	1x 4739-0142	1x 4739-0162	1x 4739-0182
4739-01X3	1x 4739-0133	1x 4739-0143	1x 4739-0163	1x 4739-0183
2088-0511	12x 2088-0511	15x 2088-0511	21x 2088-0511	27x 2088-0511

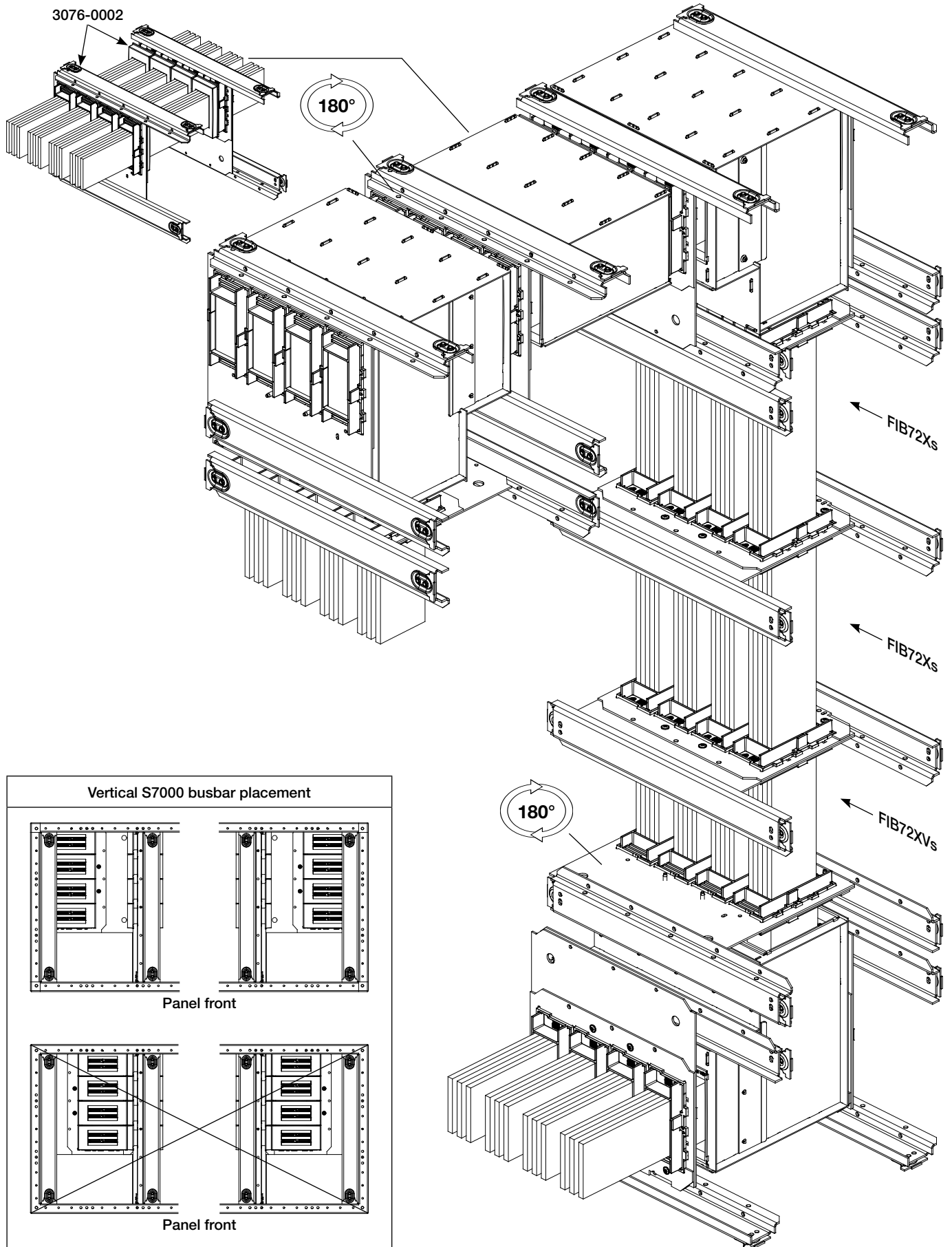


- (DK) S7000 / S7000, Generelle monteringsregler
- (S) S7000 / S7000, Generella montageanvisningar
- (GB) S7000 / S7000, General assembly instructions
- (D) S7000 / S7000, Generelle Montagevorschriften
- (F) S7000 / S7000, Instructions générales de montage

Date: 04 MAR 15

FIB 040

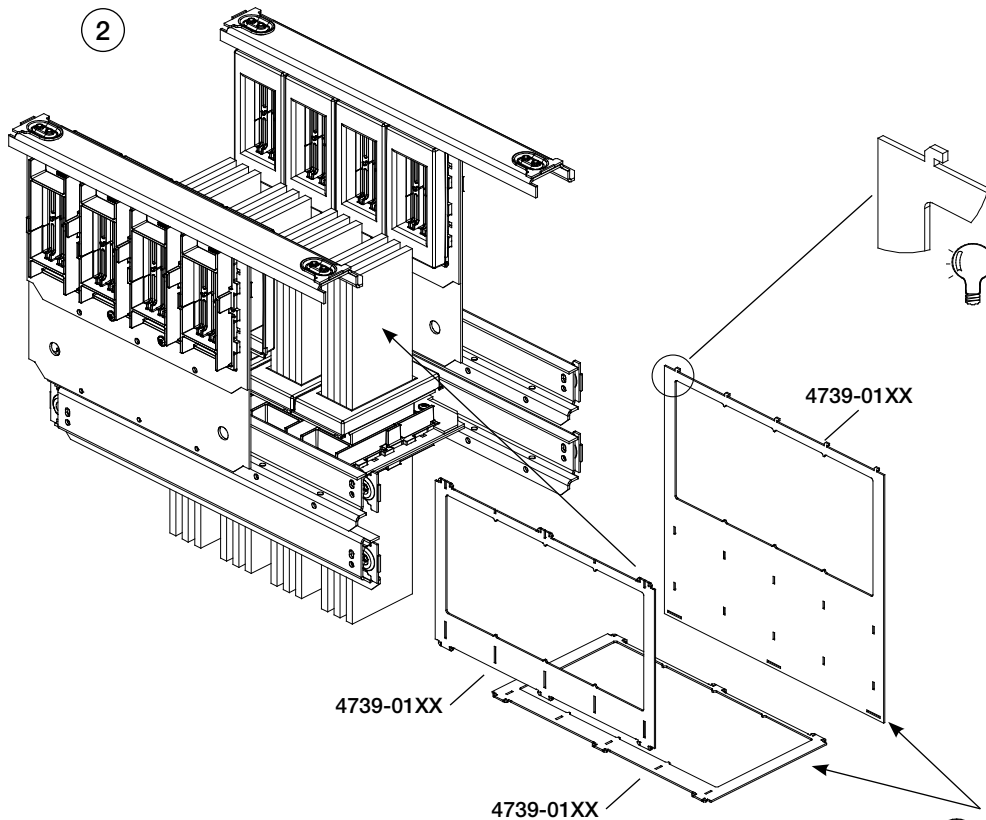
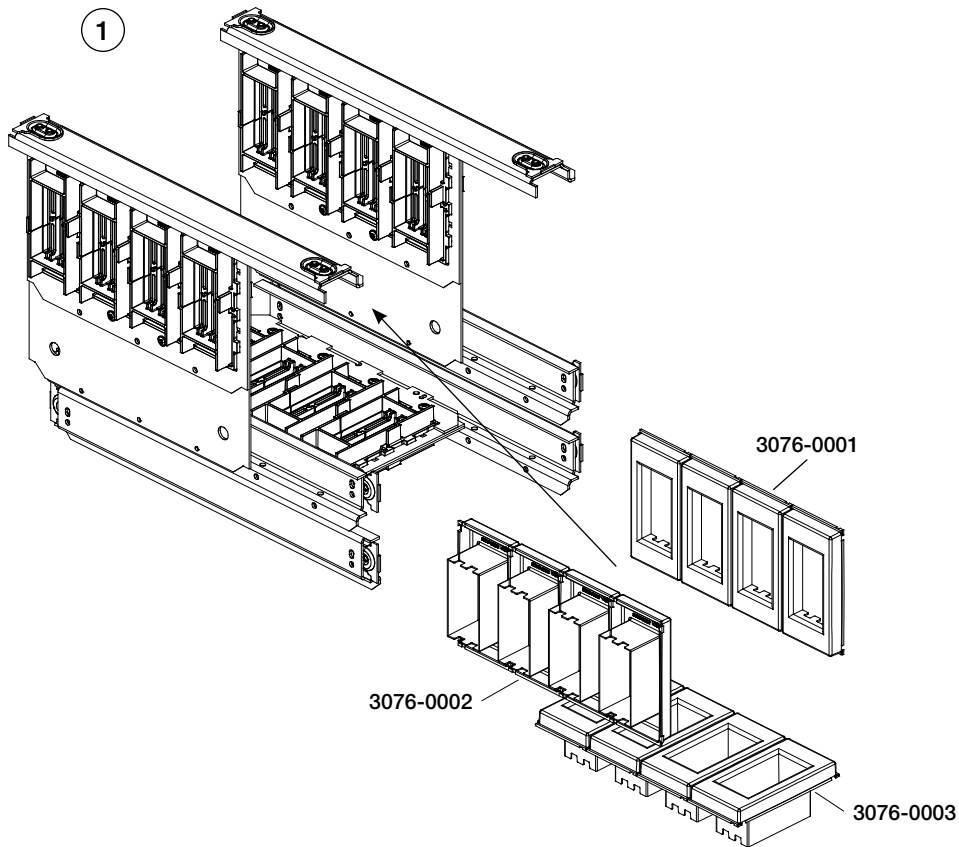
Index



CUBIC-Modulsystem A/S
 Skjoldborgsgade 21
 DK-9700 Broenderslev

Phone +45 98 82 24 00
 Telefax +45 98 82 35 30
 E-mail info@cubic.eu
 Internet www.cubic.eu

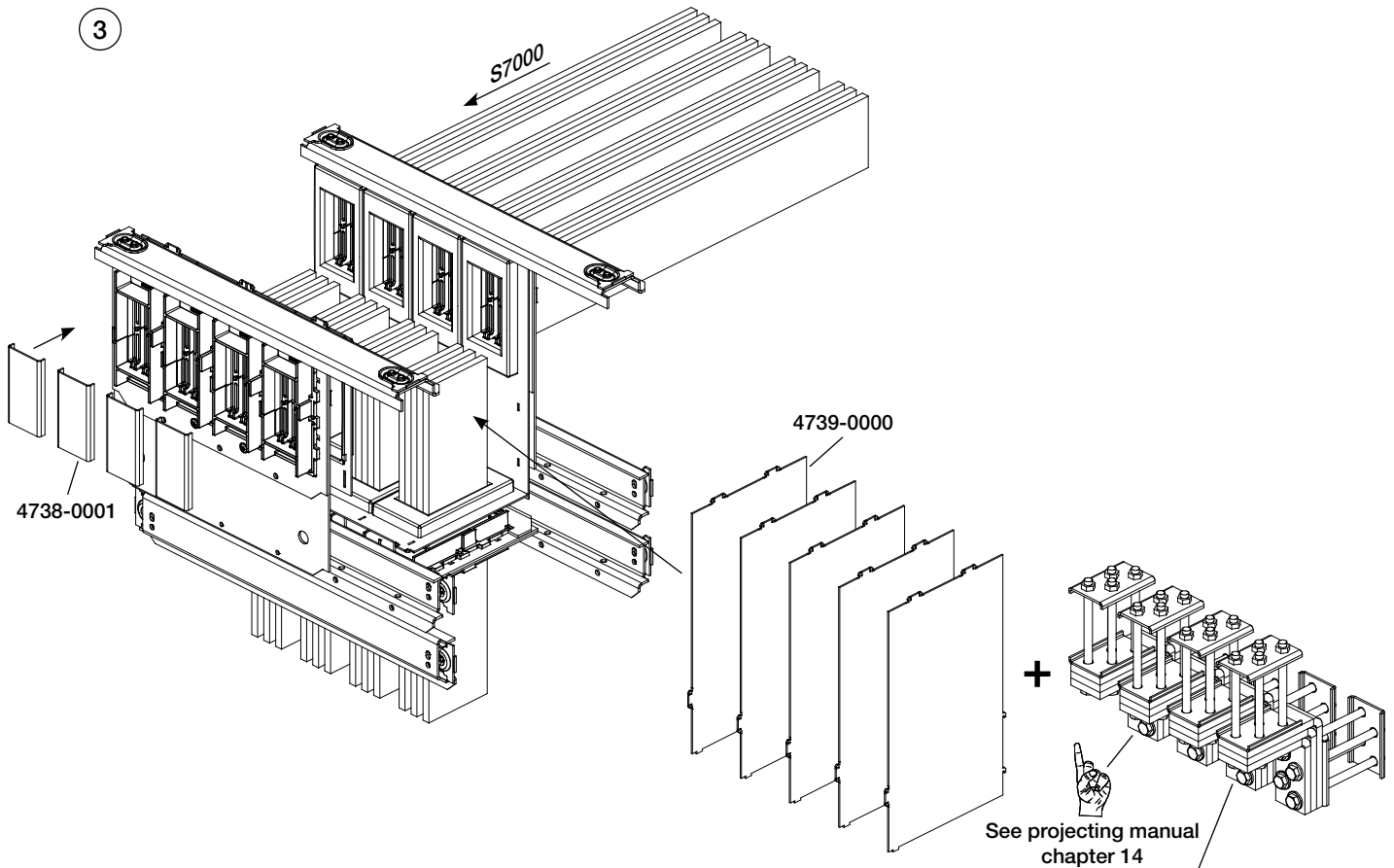
CUBIC



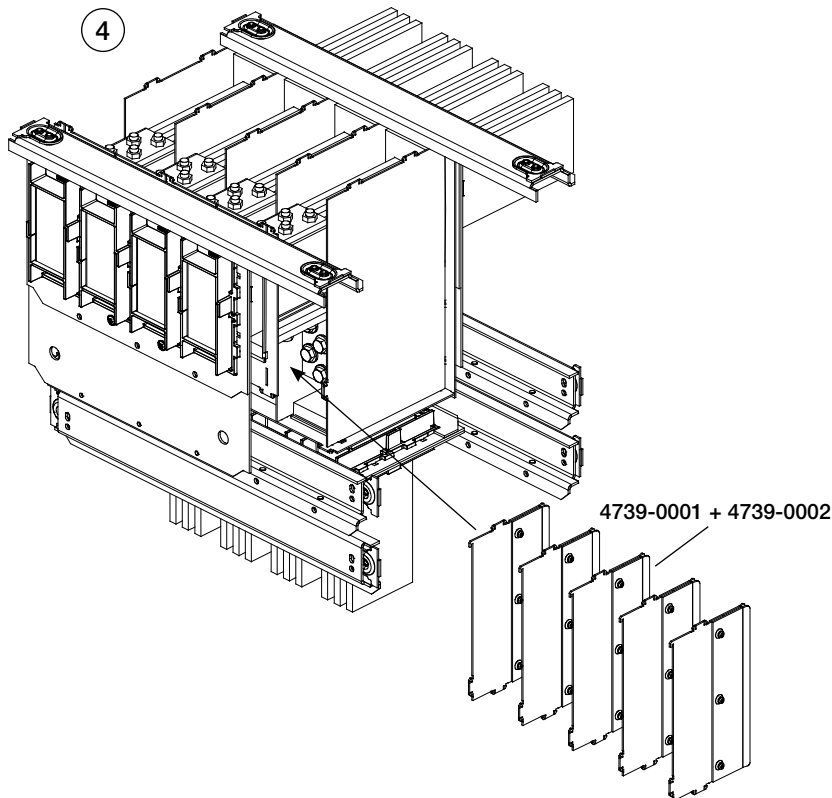
For easier mounting of the top plate the hooks must be pointing towards the front of the panel

It's an advantage if you put these two parts together before mounting them on the adaptors

3



4



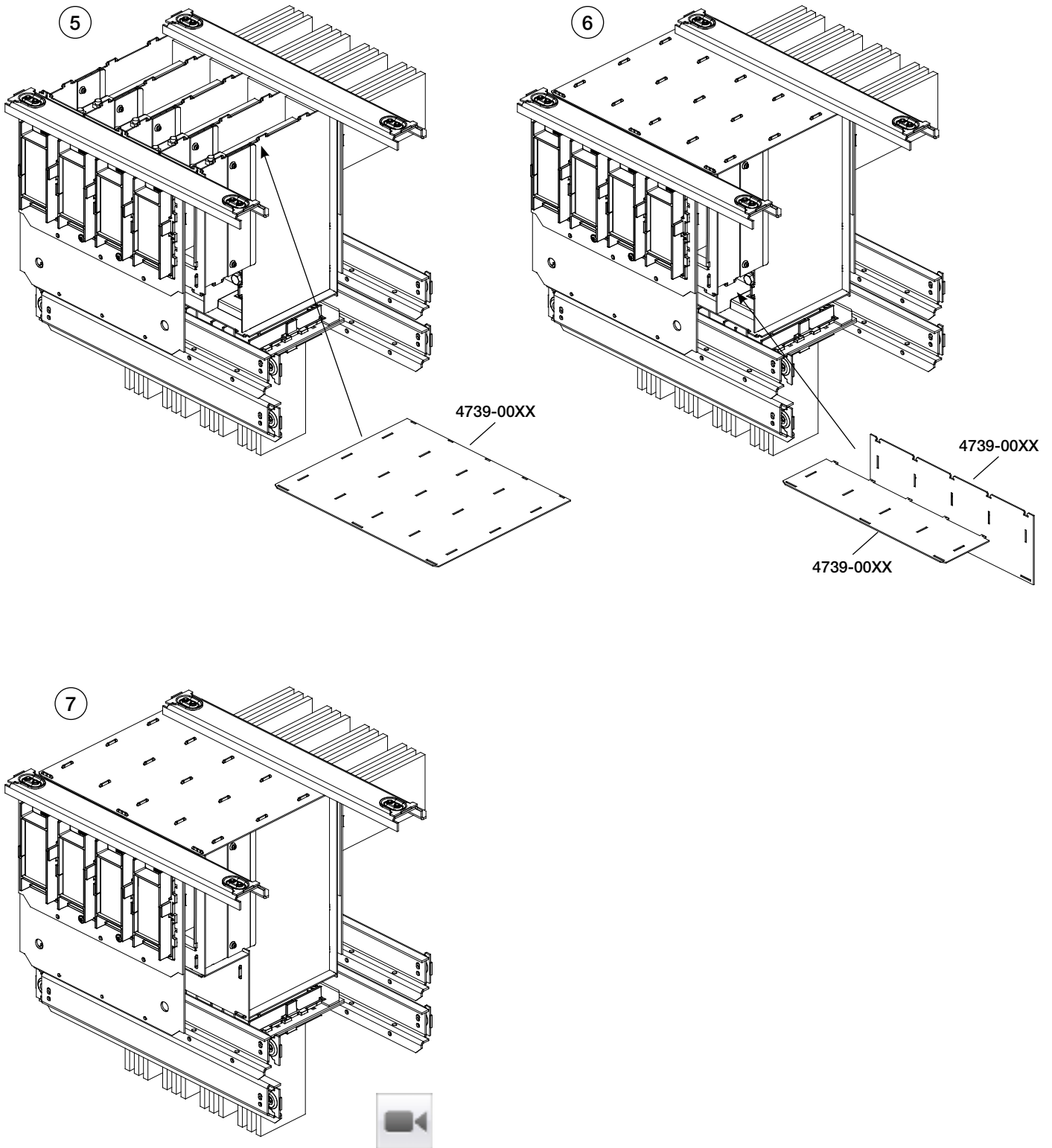
It's an advantage if you mount the connection, on the vertical busbar before you insert your horizontal busbar.

- Ⓚ S7000 / S7000, Generelle monteringsregler
- Ⓢ S7000 / S7000, Generella montageanvisningar
- ⒼⓅ S7000 / S7000, General assembly instructions
- Ⓓ S7000 / S7000, Generelle Montagevorschriften
- Ⓕ S7000 / S7000, Instructions générales de montage

Date: 04 MAR 15

FIB 043

Index



CUBIC-Modulsystem A/S
 Skjoldborgsgade 21
 DK-9700 Broenderslev

Phone +45 98 82 24 00
 Telefax +45 98 82 35 30
 E-mail info@cubic.eu
 Internet www.cubic.eu

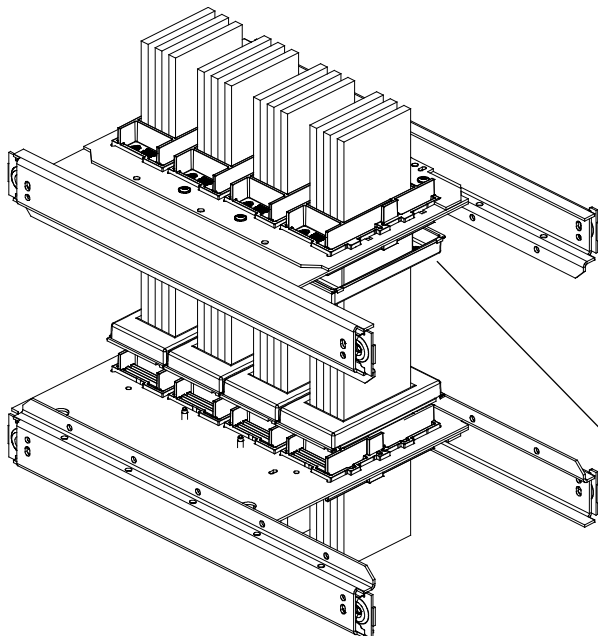
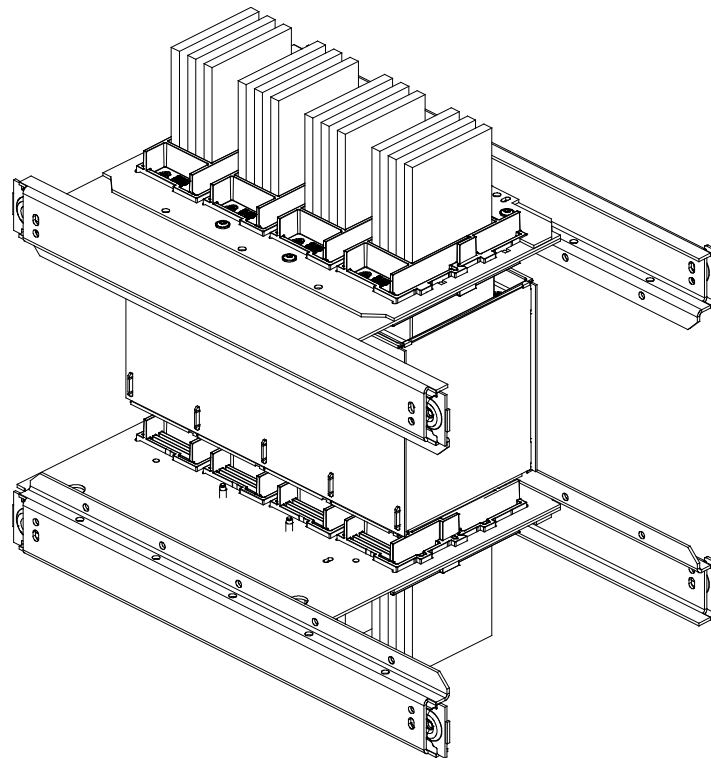
CUBIC

- Ⓚ S7000 Blank, Montering og fakta
- Ⓢ S7000 Blank, Montering och fakta
- ⓐ S7000 Blank, Mounting and facts
- Ⓓ S7000 Leer, Montage und Fakten
- Ⓕ S7000 Vide, Montage et faits

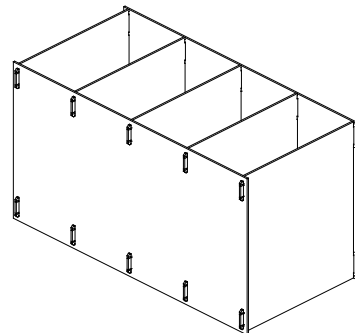
Date: 04 MAR 15

FIB **044**

Index



+



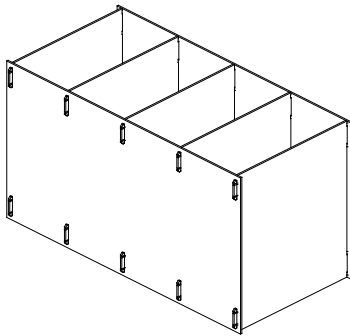
When making a S7000 / S7000 connection, you need to have at least one vertical blank.
 You cannot follow the adaptor guide on page 017
 You need to use the 3067-0002 adaptor

- Ⓚ S7000 Blank, Bestillingsinformation
- Ⓢ S7000 Blank, Beställningsinformation
- ⒼⒷ S7000 Blank, Order information
- Ⓓ S7000 Leer, Bestellinformationen
- Ⓕ S7000 Vide, Informations de commande

Date: 04 MAR 15

FIB **045**

Index



FIB724Vs

- Complete
- Vertical blank
- Pole: 3 - 4 - 6 - 8
- Width: 2M
- S7000
- Fully insulated busbars

S7000 »	3P	4P	6P	8P
Item id.	FIB723Vs	FIB724Vs	FIB726Vs	FIB728Vs
4731-00XX	2x 4731-0053	2x 4731-0054	2x 4731-0056	2x 4731-0058
4732-000X	4x 4732-0005	5x 4732-0005	7x 4732-0005	9x 4732-0005
3076-000X	6x 3076-0002	8x 3076-0002	12x 3076-0002	16x 3076-0002

